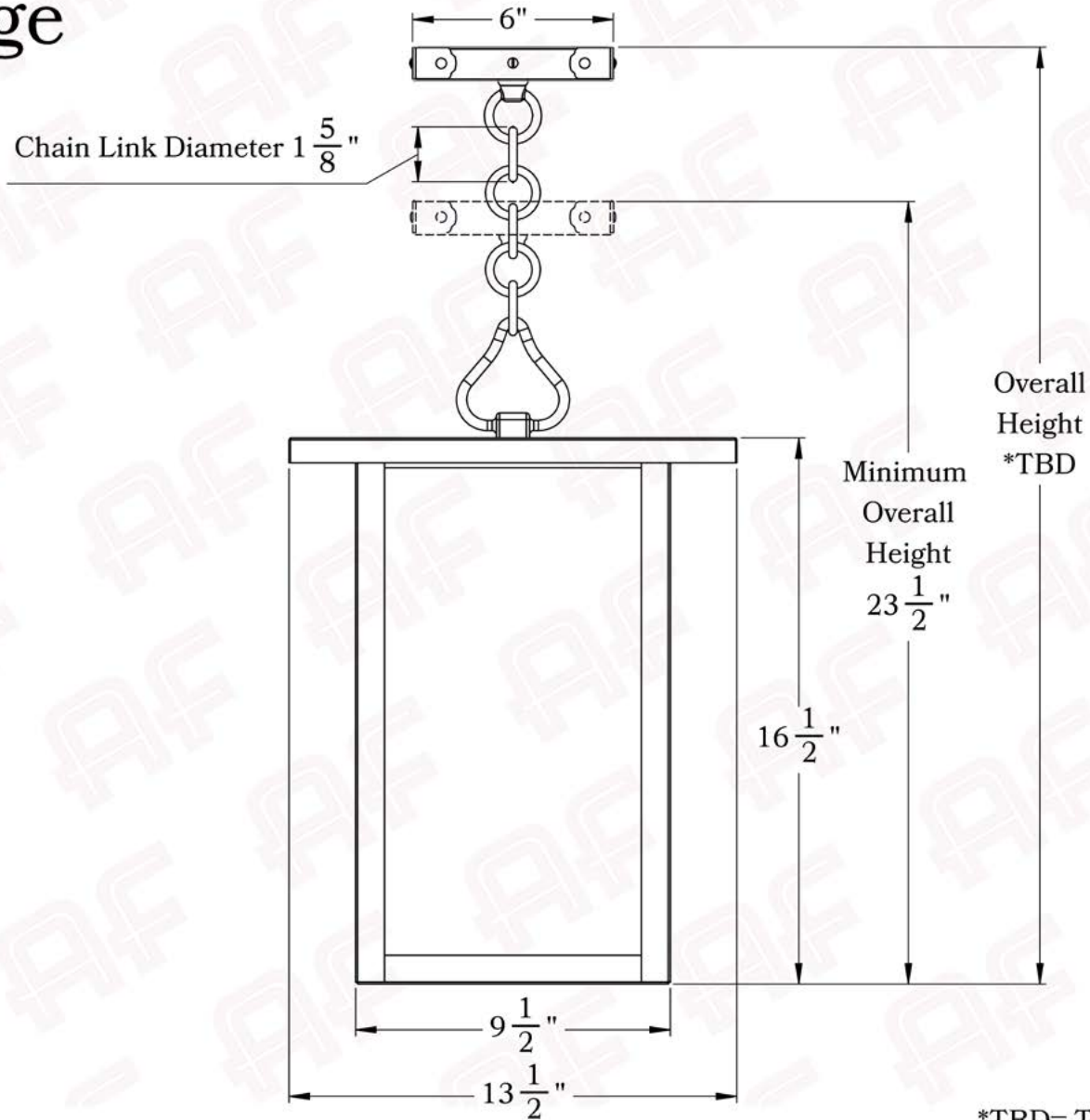




The Woodfield Series
Chain Pendant Lantern
2XL

AMERICA'S FINEST 
Lighting & Mailbox Co. 

2X Large



*TBD= To be determined

Dimensions

Roof Width	13 1/2"
Body Width	9 1/2"
Lantern Height	16 1/2"
Minimum Height	23 1/2"
Canopy	6"

Electrical Specs

UL Rating	Damp
Voltage	120V
Socket Type	Medium Base - E26
Number of Light Bulbs	1
Max Wattage per Bulb	100W
LED Bulb	Supplied
Dimmable	Yes

Additional Information

Manufacturer	America's Finest Lighting
Mounting Location	Interior and Exterior
Material	Brass
Multiple Overlay Options	Yes
Bottom Glass Panels	Included

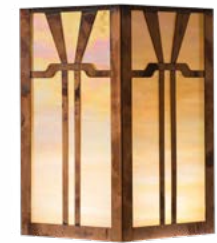
Overlays Available In This Series



Arch



Double T



Gamble

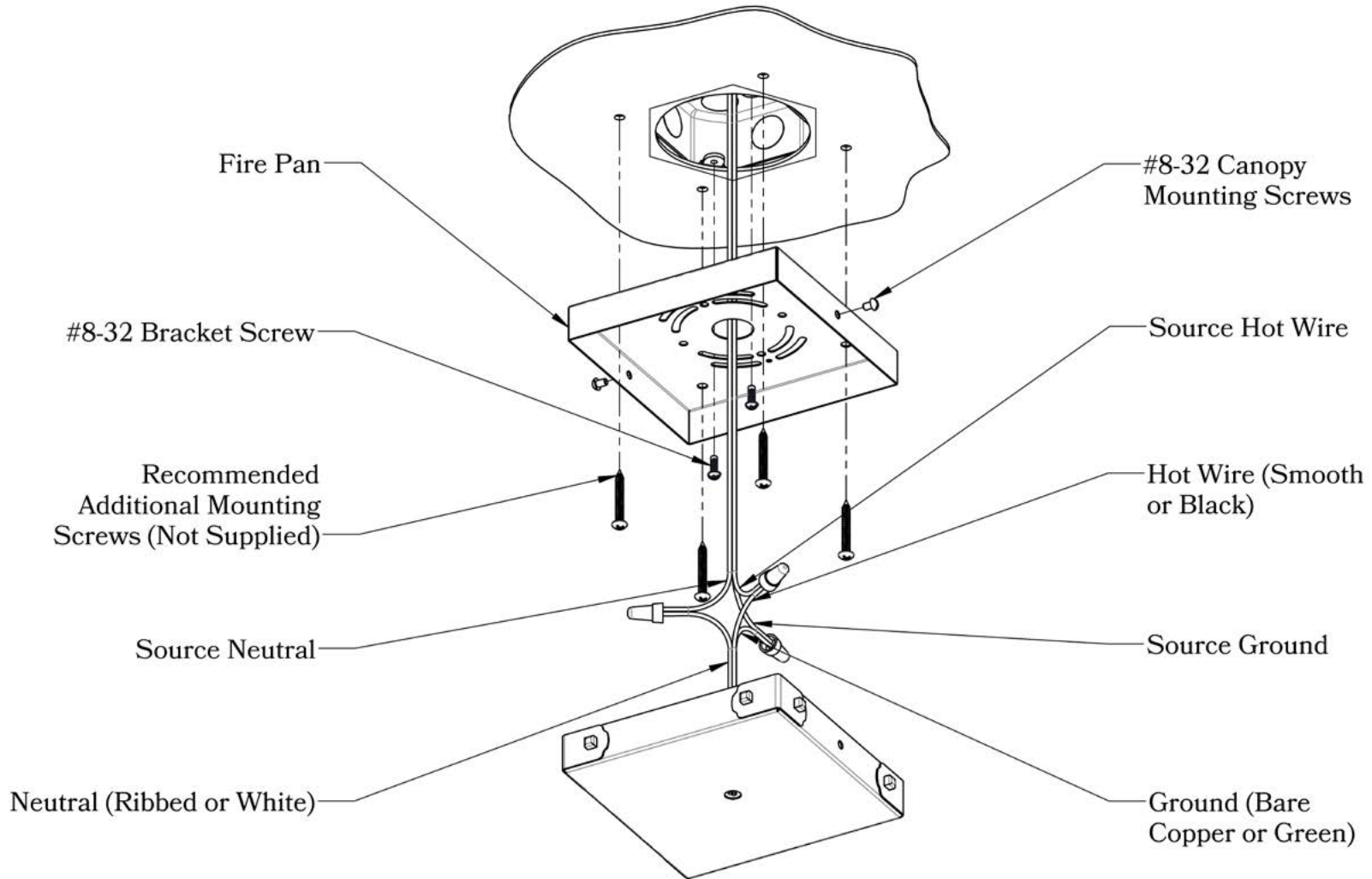


Shoji



Summit

Mounting Instructions | Chain Mount With Fire Pan



CAUTION—DISCONNECT POWER

Always shut off power when installing or repairing this (or any other) electrical appliance. Failure to do so may result in severe injury or death. This product must be installed in accordance with applicable installation codes by a person familiar with the construction and operation of the product, and the hazards involved.