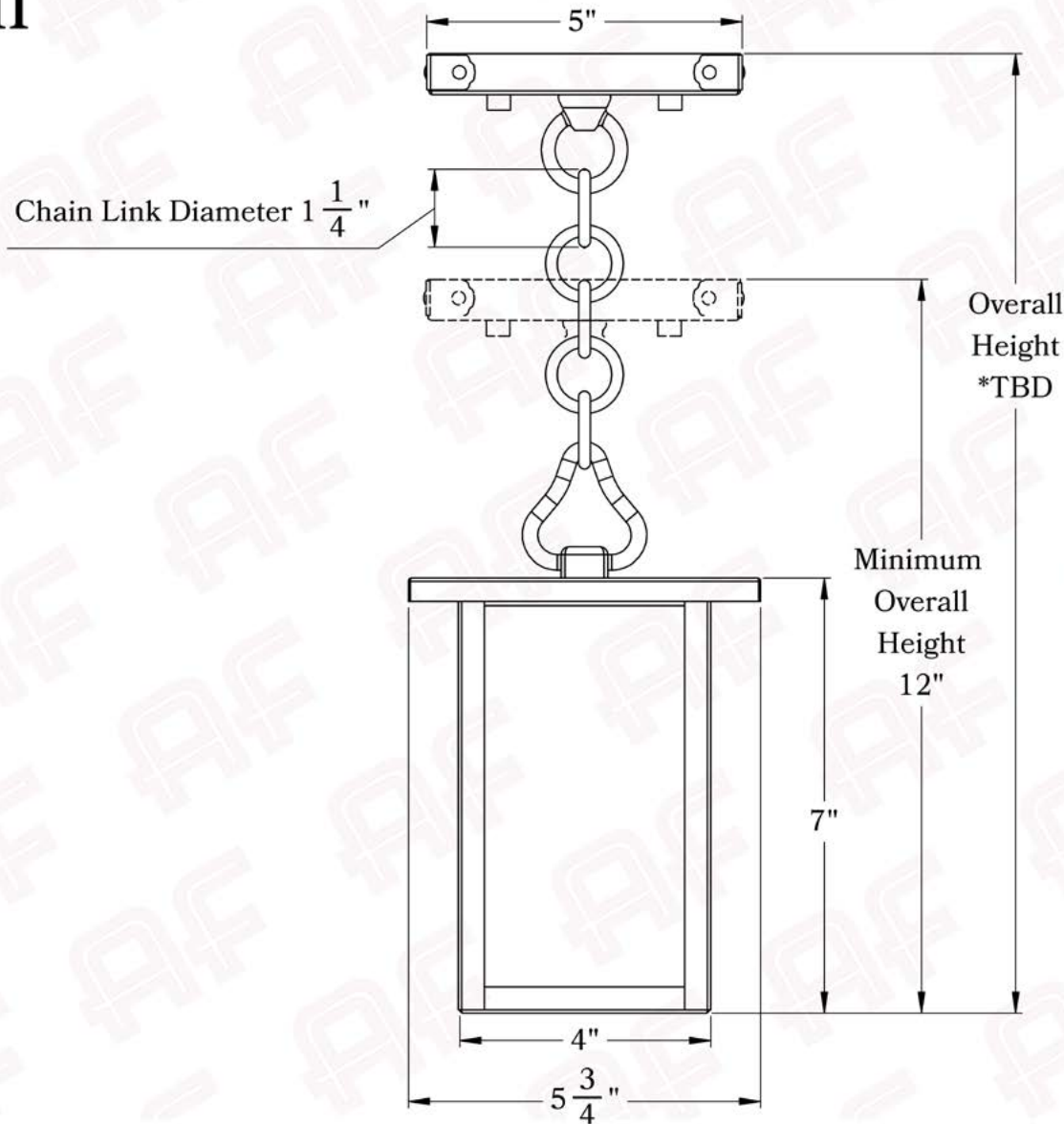




**The Woodfield Series**  
*Chain Pendant Lantern*  
Small

**AMERICA'S FINEST**   
*Lighting & Mailbox Co.* 

# Small



\*TBD= To be determined

**AMERICA'S FINEST**  
*Lighting & Mailbox Co.*  
 975 N. Enterprise St. Orange, CA 92867

PRODUCT No. | 462-4  
 TITLE | Woodfield  
 UL RATING | Damp

LAMP BASE | Medium Base (E26)  
 MAX WATTAGE | 60W  
 VOLTAGE | 120V

**PROPRIETARY AND CONFIDENTIAL**  
 The information contained in this drawing is the sole property of America's Finest. Any reproduction in part or as a whole without written permission from America's Finest is prohibited.

## Dimensions

|                |        |
|----------------|--------|
| Roof Width     | 5 3/4" |
| Body Width     | 4"     |
| Lantern Height | 7"     |
| Minimum Height | 12"    |
| Canopy         | 5"     |

## Electrical Specs

|                       |                   |
|-----------------------|-------------------|
| UL Rating             | Damp              |
| Voltage               | 120V              |
| Socket Type           | Medium Base - E26 |
| Number of Light Bulbs | 1                 |
| Max Wattage per Bulb  | 60W               |
| LED Bulb              | Supplied          |
| Dimmable              | Yes               |

## Additional Information

|                          |                           |
|--------------------------|---------------------------|
| Manufacturer             | America's Finest Lighting |
| Mounting Location        | Interior and Exterior     |
| Material                 | Brass                     |
| Multiple Overlay Options | Yes                       |
| Bottom Glass Panels      | Included                  |

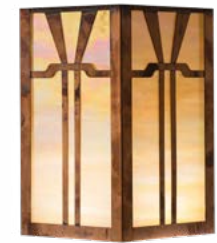
## Overlays Available In This Series



Arch



Double T



Gamble

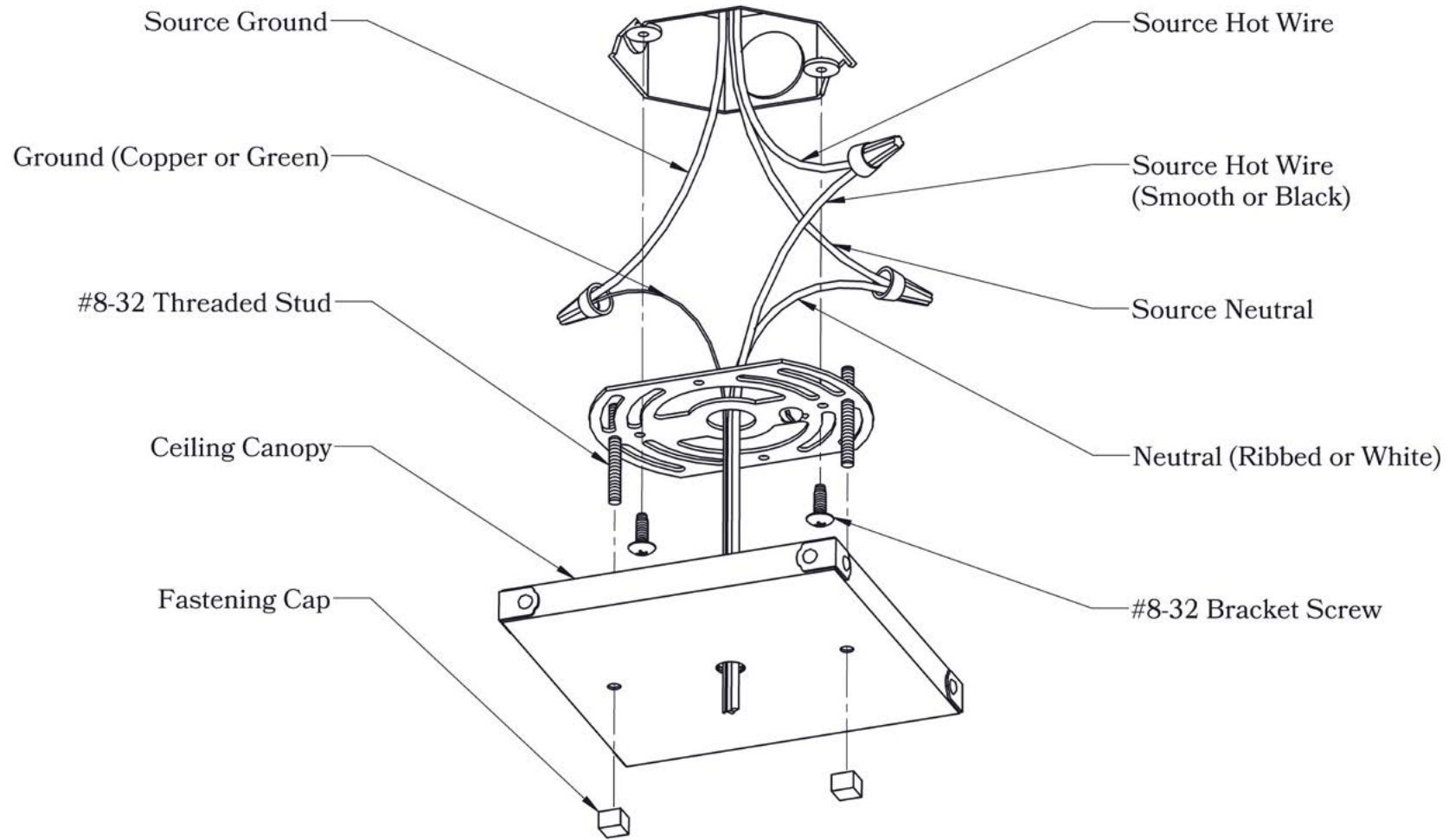


Shoji



Summit

**Mounting Instructions** | Chain Mount Without Fire Pan



**CAUTION—DISCONNECT POWER**

Always shut off power when installing or repairing this (or any other) electrical appliance. Failure to do so may result in severe injury or death. This product must be installed in accordance with applicable installation codes by a person familiar with the construction and operation of the product, and the hazards involved.