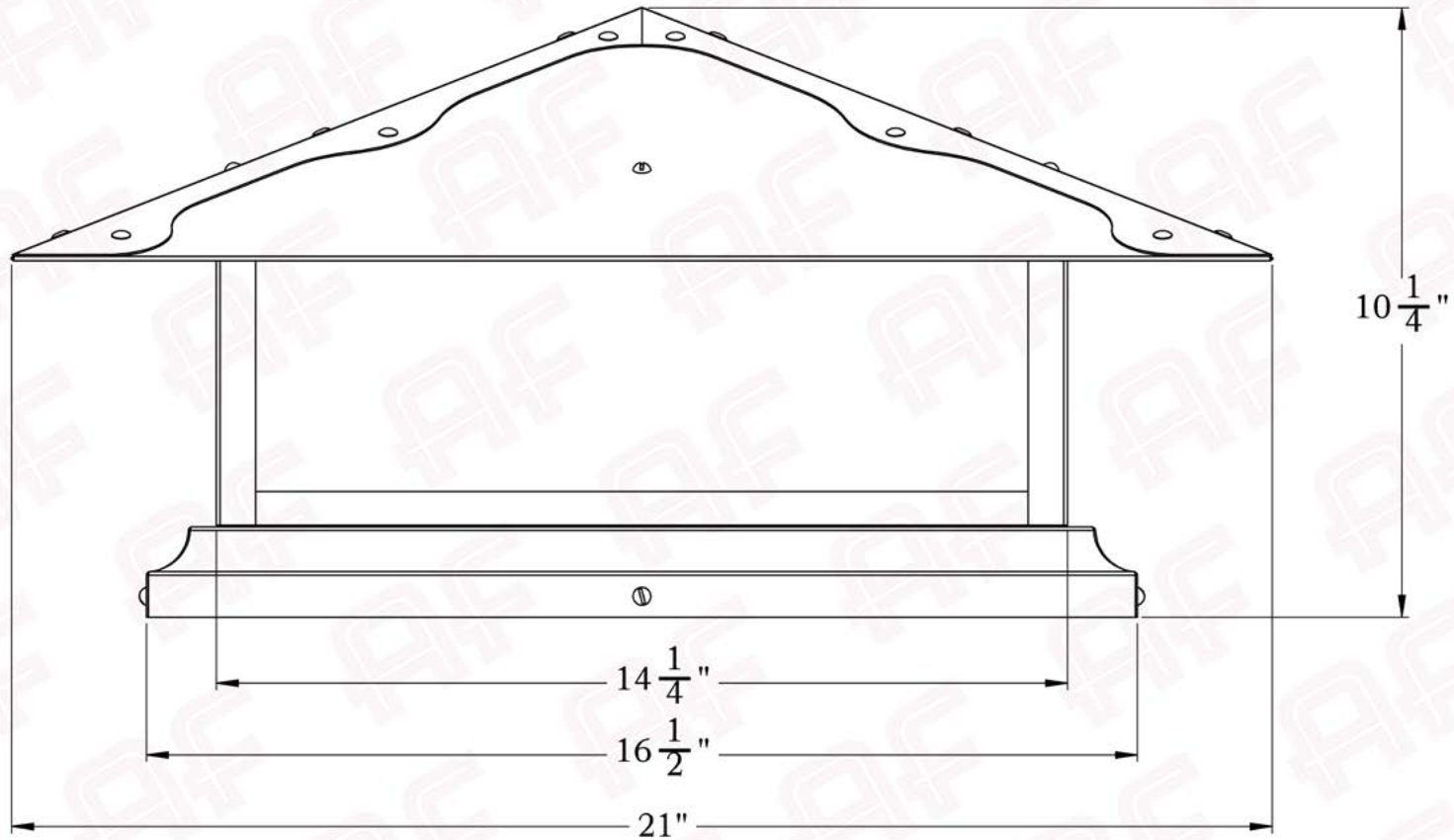




The Spring Street Series
Shallow Column Mount Lantern
2XL

AMERICA'S FINEST 
Lighting & Mailbox Co. 

2X Large



Dimensions

Roof Width	21"
Body Width	14 1/4"
Height	10 1/4"
Mounting Plate	16 1/2"

Electrical Specs

UL Rating	Wet
Voltage	12V or 120V
Socket Type	Medium Base - E26
Number of Light Bulbs	2
Max Wattage per Bulb	100W
LED Bulb	Supplied

Additional Information

Manufacturer	America's Finest Lighting
Mounting Location	Exterior Only
Material	Brass
Multiple Overlay Options	Yes

Overlays Available In This Series



Trellis



Lattice



Cross



Trellis with Ivy

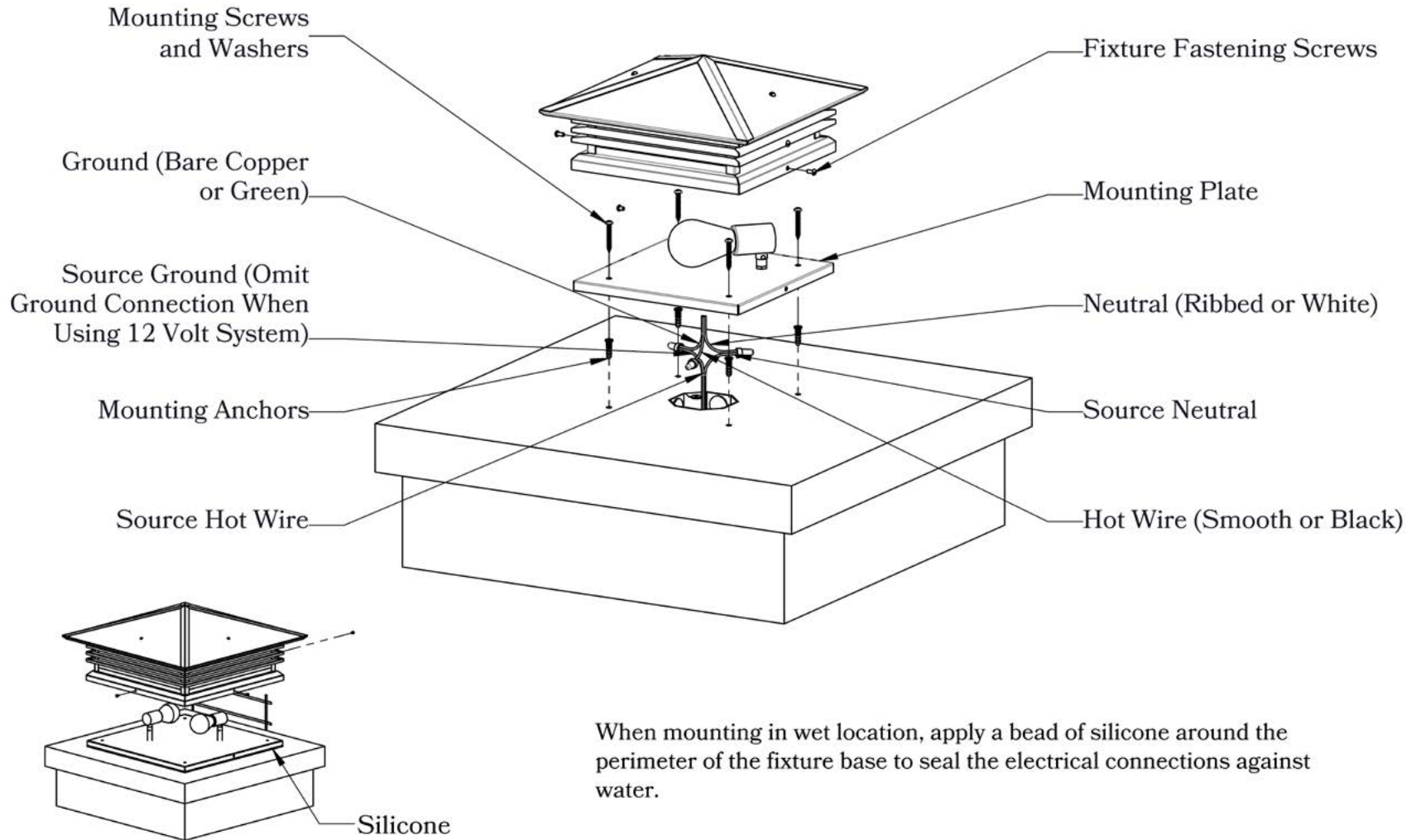


Lattice with Ivy



Glass Only

Mounting Instructions | Column Light Version One



When mounting in wet location, apply a bead of silicone around the perimeter of the fixture base to seal the electrical connections against water.

CAUTION—DISCONNECT POWER

Always shut off power when installing or repairing this (or any other) electrical appliance. Failure to do so may result in severe injury or death. This product must be installed in accordance with applicable installation codes by a person familiar with the construction and operation of the product, and the hazards involved.