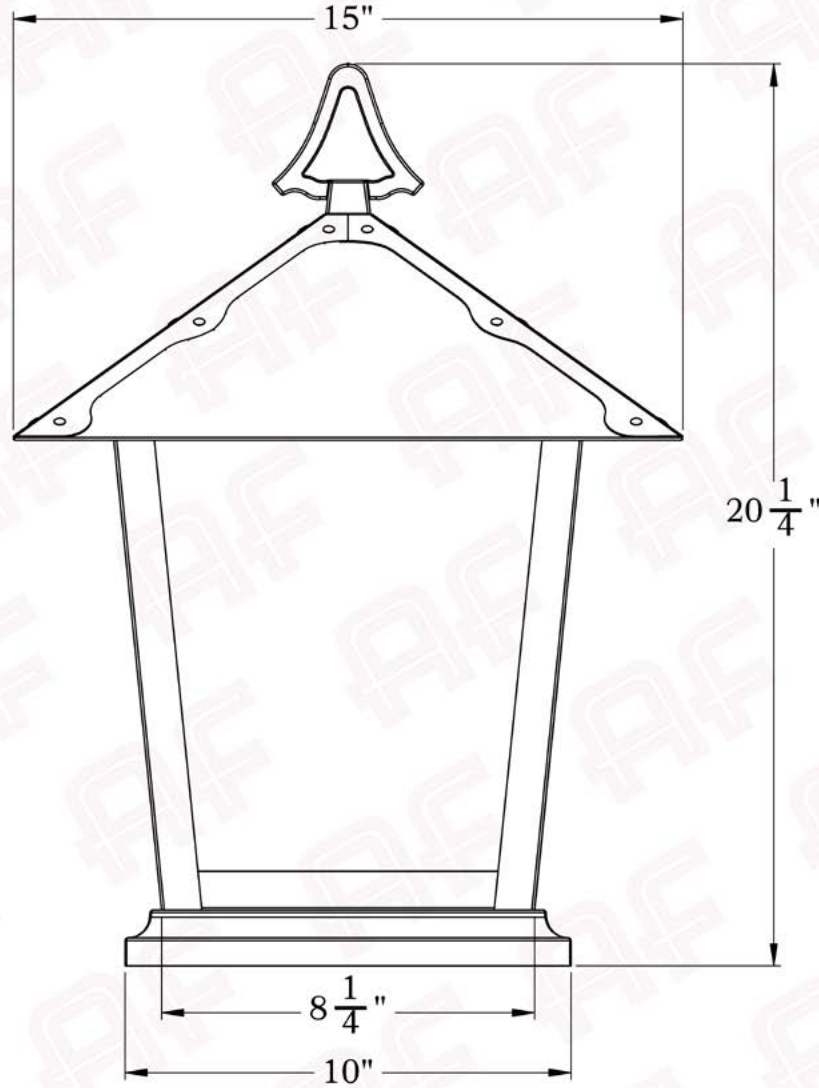




The Spring Street Series
Column Mount Lantern
Extra Large

AMERICA'S FINEST 
Lighting & Mailbox Co. 

X Large



AMERICA'S FINEST
Lighting & Mailbox Co.
975 N. Enterprise St. Orange, CA 92867

PRODUCT No. | 1025-6
TITLE | Spring Street
UL RATING | Wet

LAMP BASE | Medium Base (E26)
MAX WATTAGE | 100W
VOLTAGE | 12V or 120V

PROPRIETARY AND CONFIDENTIAL
The information contained in this drawing is the sole property of America's Finest. Any reproduction in part or as a whole without written permission from America's Finest is prohibited.

Dimensions

| | |
|----------------|---------|
| Roof Width | 15" |
| Body Width | 8 1/4" |
| Height | 20 1/4" |
| Mounting Plate | 10" |

Electrical Specs

| | |
|-----------------------|-------------------|
| UL Rating | Wet |
| Voltage | 12V or 120V |
| Socket Type | Medium Base - E26 |
| Number of Light Bulbs | 1 |
| Max Wattage per Bulb | 100W |
| LED Bulb | Supplied |

Additional Information

| | |
|--------------------------|---------------------------|
| Manufacturer | America's Finest Lighting |
| Mounting Location | Exterior Only |
| Material | Brass |
| Multiple Overlay Options | Yes |

Overlays Available In This Series



Trellis



Lattice



Cross



Trellis with Ivy



Lattice with Ivy



Glass Only

Mounting Instructions | Column Light Version One



When mounting in wet location, apply a bead of silicone around the perimeter of the fixture base to seal the electrical connections against water.

CAUTION—DISCONNECT POWER

Always shut off power when installing or repairing this (or any other) electrical appliance. Failure to do so may result in severe injury or death. This product must be installed in accordance with applicable installation codes by a person familiar with the construction and operation of the product, and the hazards involved.