

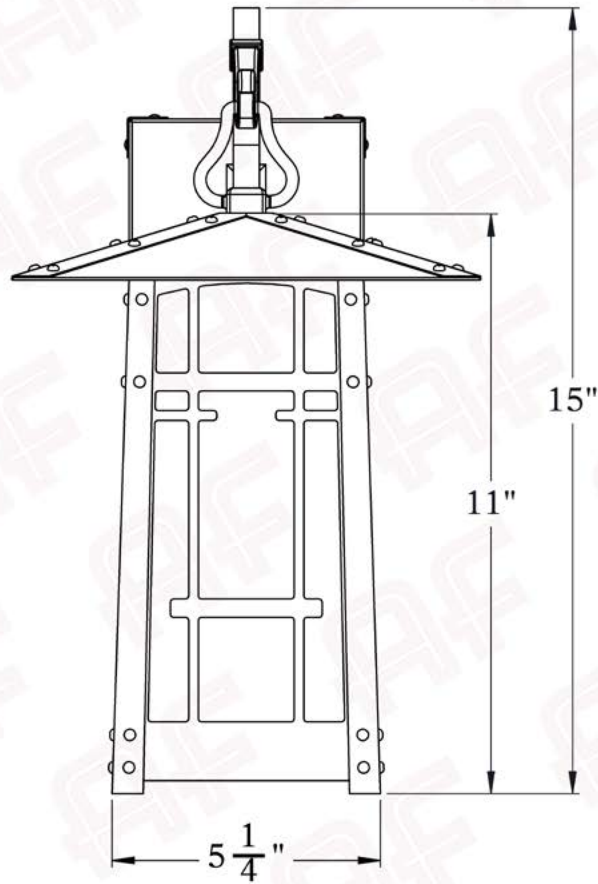
Product No. 703-1



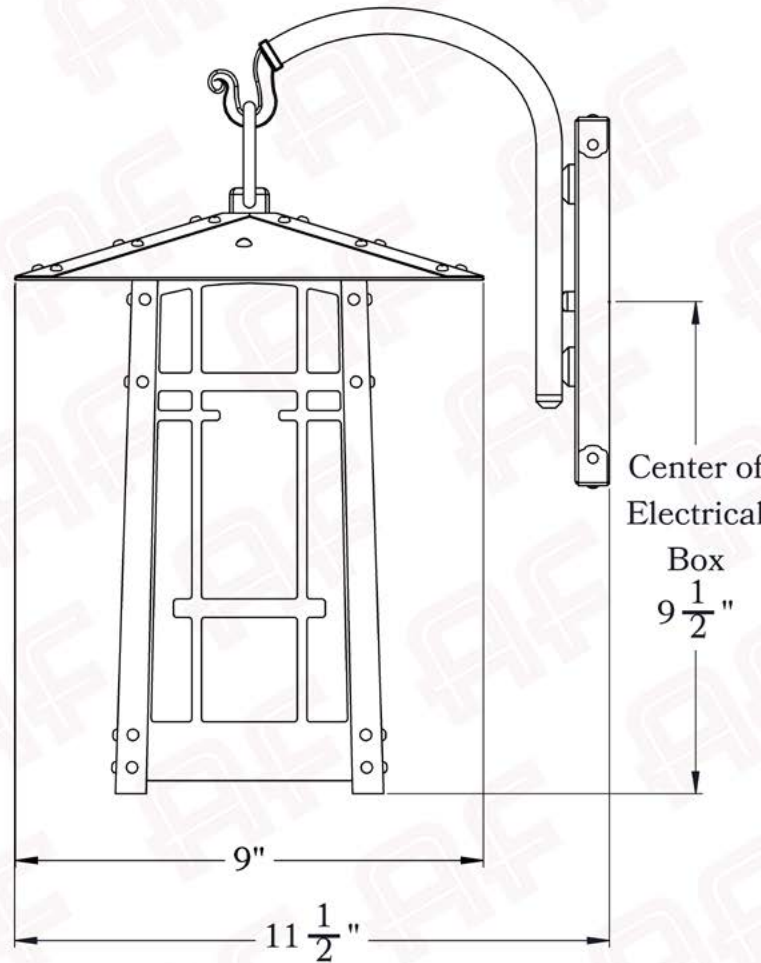
The San Marino Series
Hook Arm Sconce
Medium

AMERICA'S FINEST 
Lighting & Mailbox Co. 

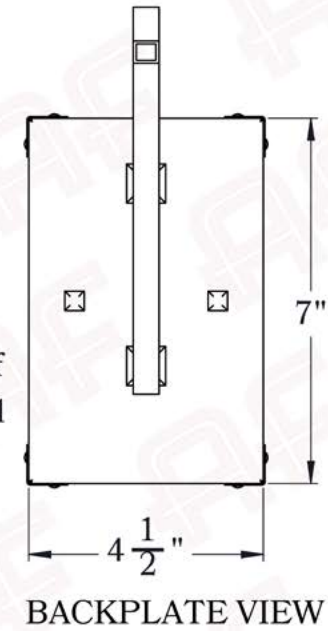
Medium



FRONT VIEW



SIDE VIEW



BACKPLATE VIEW

AMERICA'S FINEST
Lighting & Mailbox Co.
 975 N. Enterprise St. Orange, CA 92867

PRODUCT No. 703-1
 TITLE San Marino
 UL RATING Damp

LAMP BASE Medium Base (E26)
 MAX WATTAGE 100W
 VOLTAGE 120V

PROPRIETARY AND CONFIDENTIAL
 The information contained in this drawing is the sole property of America's Finest. Any reproduction in part or as a whole without written permission from America's Finest is prohibited.

Dimensions

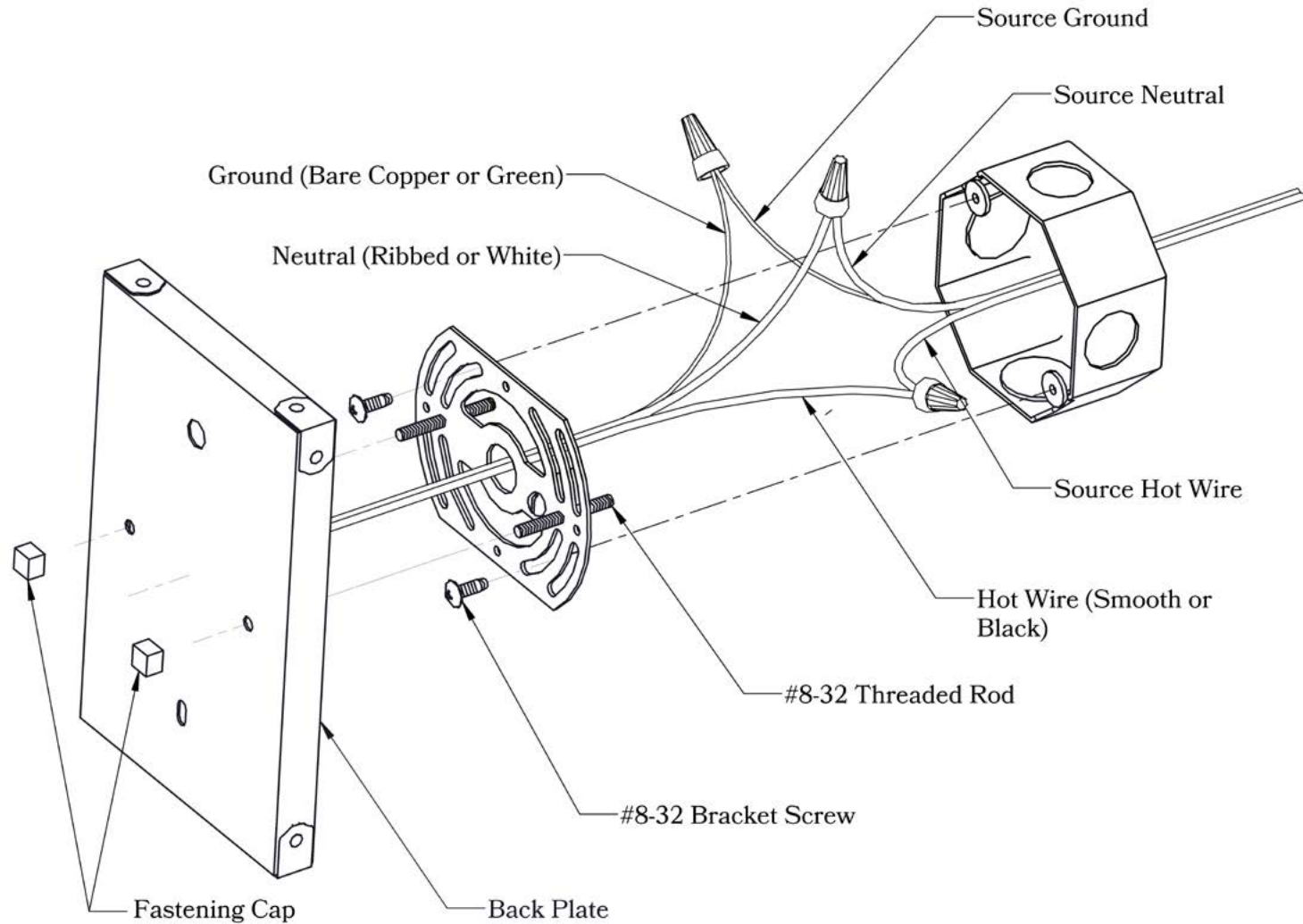
Roof Width	9"
Body Width	5 1/4"
Lantern Height	11"
Height	14 3/4"
Projection	10 1/2"
Mounting Plate	4 1/2" x 7"

Electrical Specs

UL Rating	Damp
Voltage	120V
Socket Type	Medium Base - E26
Number of Light Bulbs	1
Max Wattage per Bulb	100W
LED Bulb	Supplied
Dimmable	Yes

Additional Information

Manufacturer	America's Finest Lighting
Mounting Location	Interior and Exterior
Material	Brass
Multiple Overlay Options	No
Bottom Glass Panels	Included

Mounting Instructions | Wall Mount With Caps**CAUTION—DISCONNECT POWER**

Always shut off power when installing or repairing this (or any other) electrical appliance. Failure to do so may result in severe injury or death. This product must be installed in accordance with applicable installation codes by a person familiar with the construction and operation of the product, and the hazards involved.