

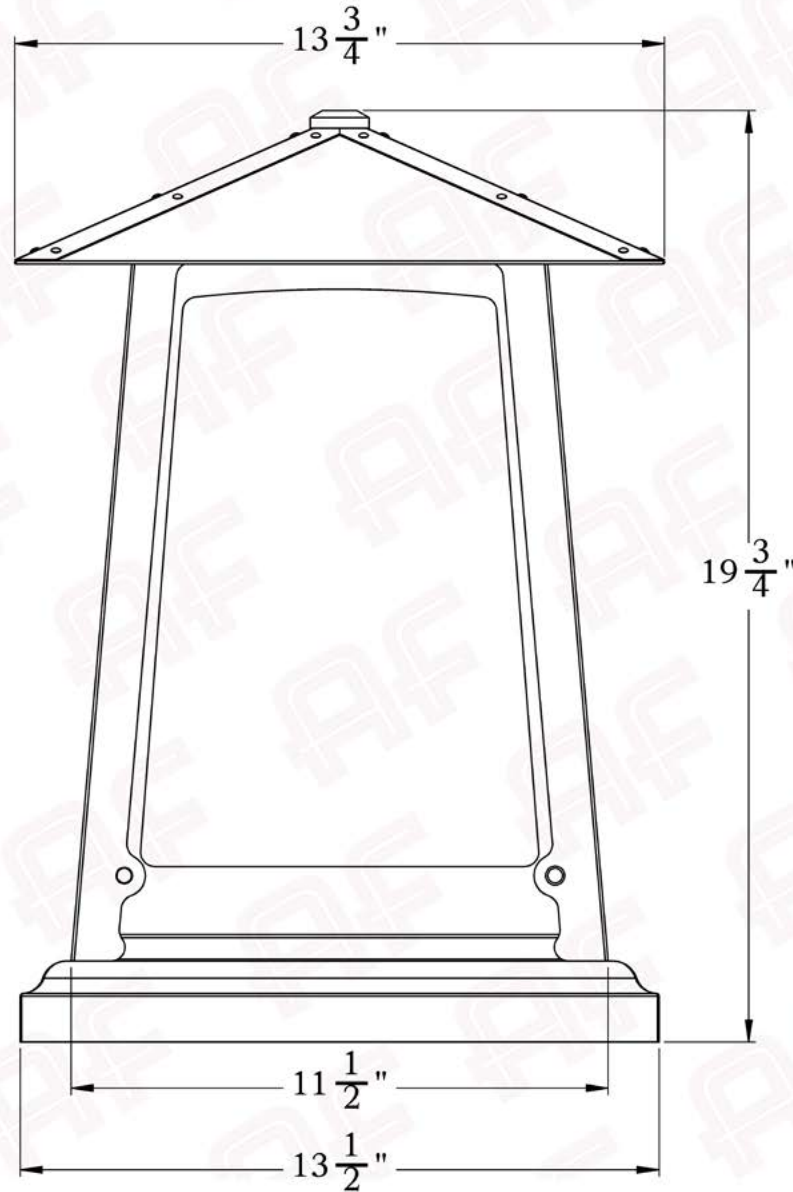
Product No. 645-6



**The Poplar Glen Series**  
*Column Mount Lantern*  
**Extra Large**

**AMERICA'S FINEST**   
*Lighting & Mailbox Co.* 

# X Large



**AMERICA'S FINEST**  
*Lighting & Mailbox Co.*  
975 N. Enterprise St. Orange, CA 92867

PRODUCT No. | 645-6  
TITLE | Poplar Glen  
UL RATING | Wet

LAMP BASE | Medium Base (E26)  
MAX WATTAGE | 100W  
VOLTAGE | 12V or 120V

**PROPRIETARY AND CONFIDENTIAL**  
The information contained in this drawing is the sole property of America's Finest. Any reproduction in part or as a whole without written permission from America's Finest is prohibited.

## Dimensions

Roof Width	13 3/4"
Body Width	11 1/2"
Height	19 3/4"
Mounting Plate	13 1/2"

## Electrical Specs

UL Rating	Wet
Voltage	12V or 120V
Socket Type	Medium Base - E26
Number of Light Bulbs	1
Max Wattage per Bulb	100W
LED Bulb	Supplied

## Additional Information

Manufacturer	America's Finest Lighting
Mounting Location	Exterior Only
Material	Brass
Multiple Overlay Options	Yes

## Overlays Available In This Series



Arrow



Gamble



Raymond

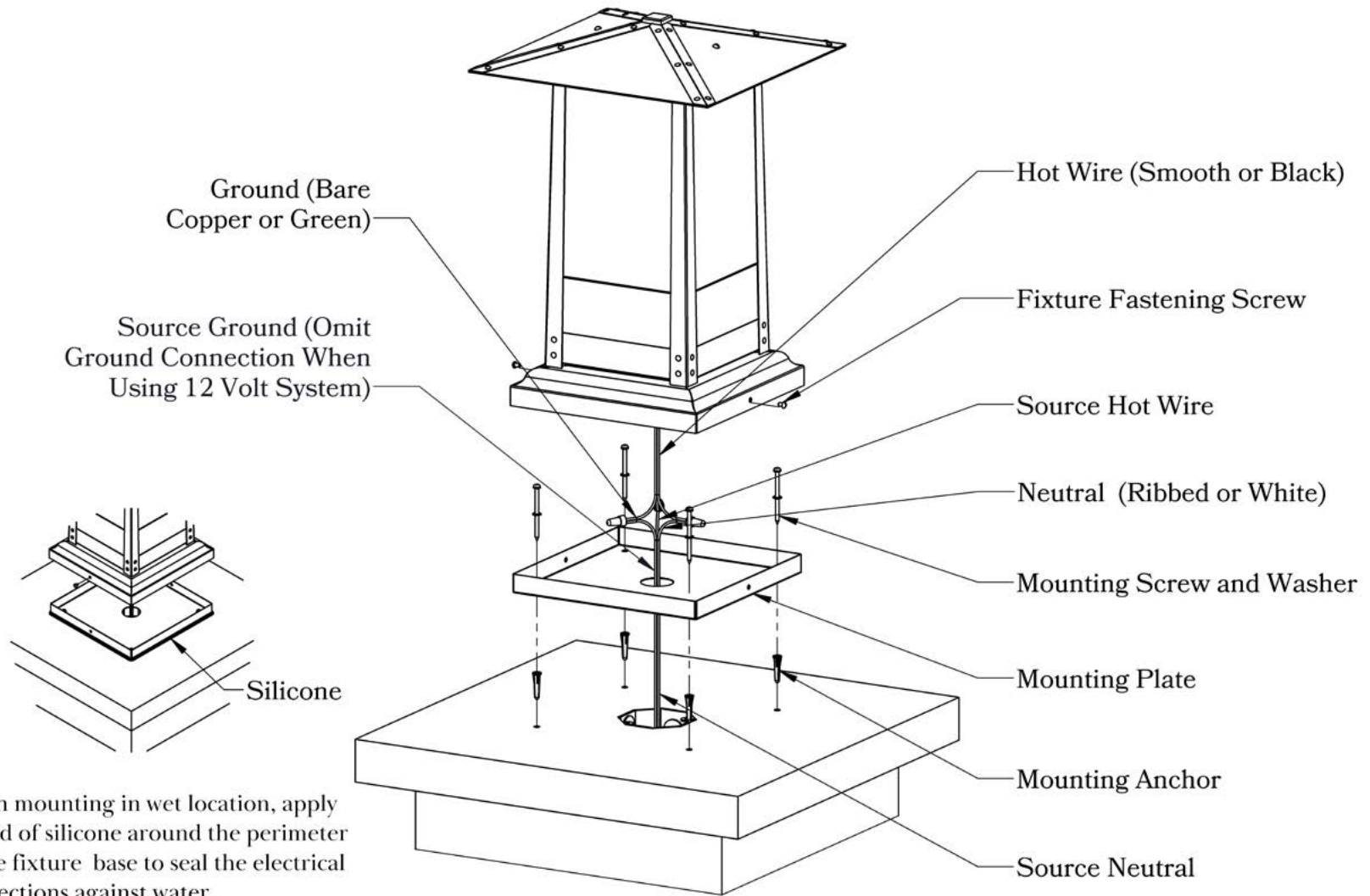


Double T



Glass Only

Mounting Instructions | Column Light Version Two



When mounting in wet location, apply a bead of silicone around the perimeter of the fixture base to seal the electrical connections against water.

**CAUTION—DISCONNECT POWER**

Always shut off power when installing or repairing this (or any other) electrical appliance. Failure to do so may result in severe injury or death. This product must be installed in accordance with applicable installation codes by a person familiar with the construction of the product, its operation, and the hazards involved.