

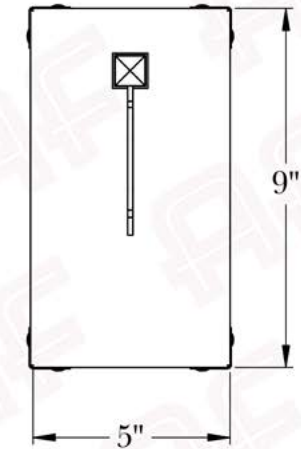
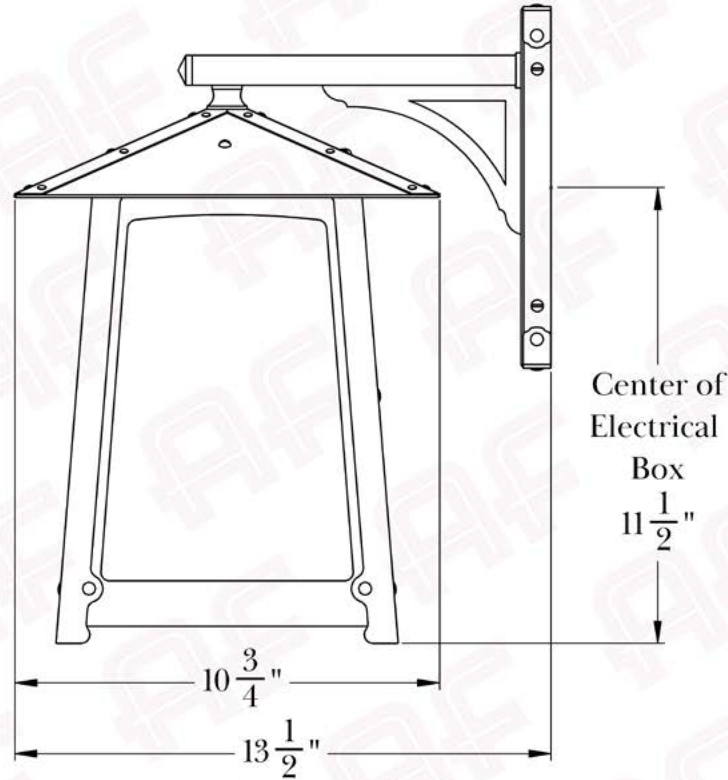
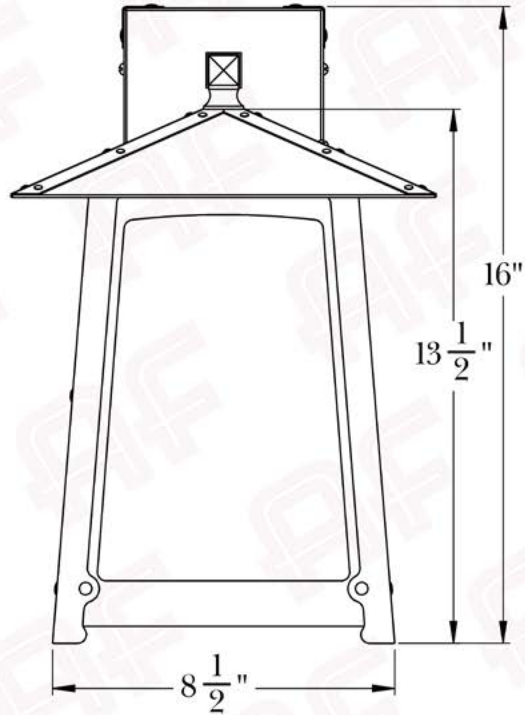


The Poplar Glen Series
Straight Arm Sconce

Large

AMERICA'S FINEST 
Lighting & Mailbox Co. 

Large



FRONT VIEW

SIDE VIEW

AMERICA'S FINEST
Lighting & Mailbox Co.
975 N. Enterprise St. Orange, CA 92867

PRODUCT No. 644-8
TITLE Poplar Glen
UL RATING Wet

LAMP BASE Medium Base (E26)
MAX WATTAGE 100W
VOLTAGE 120V

PROPRIETARY AND CONFIDENTIAL
The information contained in this drawing is the sole property of America's Finest. Any reproduction in part or as a whole without written permission from America's Finest is prohibited.

Dimensions

| | |
|----------------|---------|
| Roof Width | 10 3/4" |
| Body Width | 8 1/2" |
| Lantern Height | 13 1/2" |
| Height | 16" |
| Projection | 13 1/2" |
| Mounting Plate | 5" x 9" |

Electrical Specs

| | |
|-----------------------|-------------------|
| UL Rating | Wet |
| Voltage | 120V |
| Socket Type | Medium Base - E26 |
| Number of Light Bulbs | 1 |
| Max Wattage per Bulb | 100W |
| LED Bulb | Supplied |
| Dimmable | Yes |

Additional Information

| | |
|--------------------------|---------------------------|
| Manufacturer | America's Finest Lighting |
| Mounting Location | Interior and Exterior |
| Material | Brass |
| Multiple Overlay Options | Yes |
| Bottom Glass Panels | Included |

Overlays Available In This Series



Arrow



Gamble



Raymond

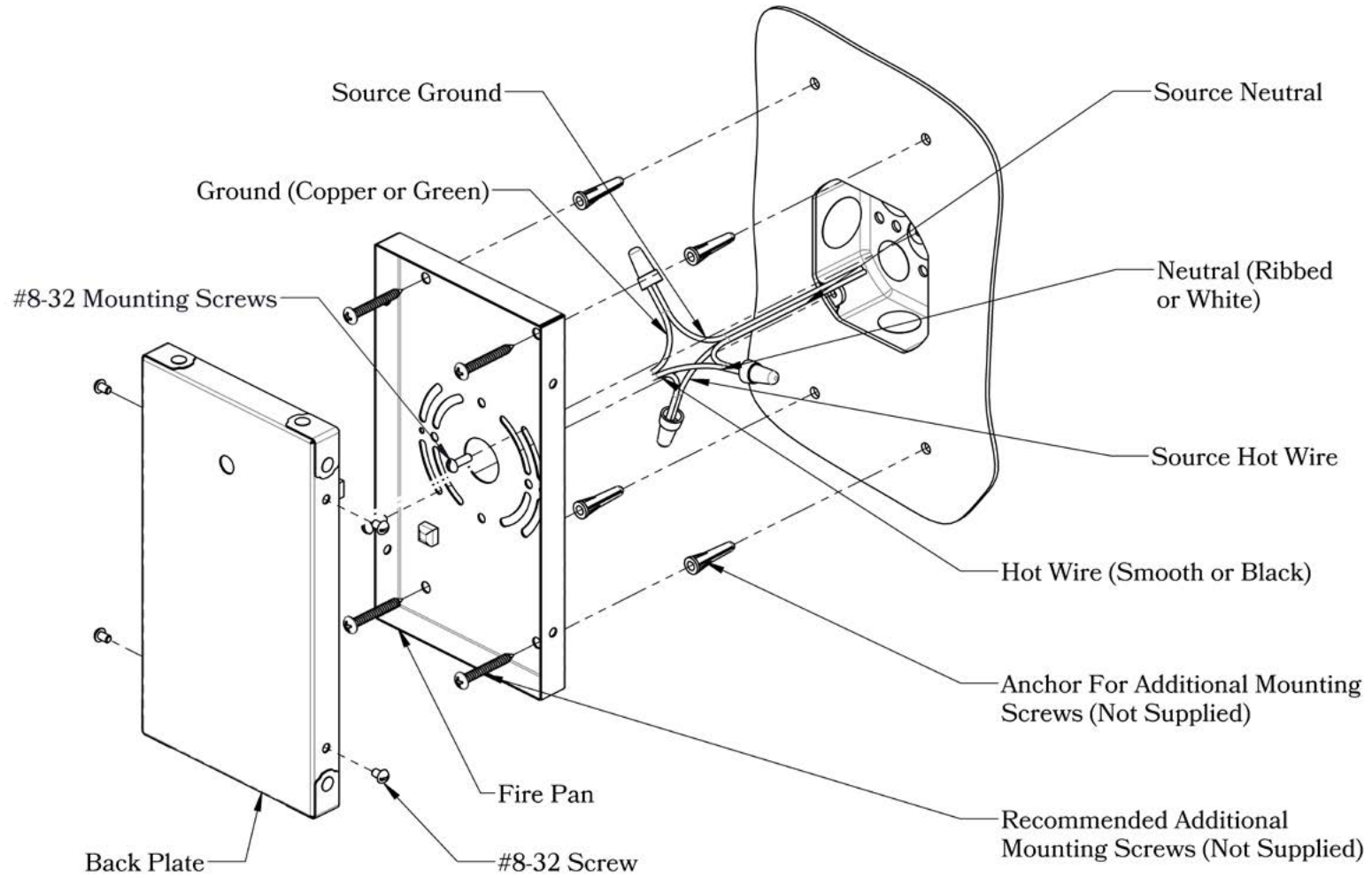


Double T



Glass Only

Mounting Instructions | Wall Mount With Fire Pan



CAUTION—DISCONNECT POWER

Always shut off power when installing or repairing this (or any other) electrical appliance. Failure to do so may result in severe injury or death. This product must be installed in accordance with applicable installation codes by a person familiar with the construction and operation of the product, and the hazards involved.