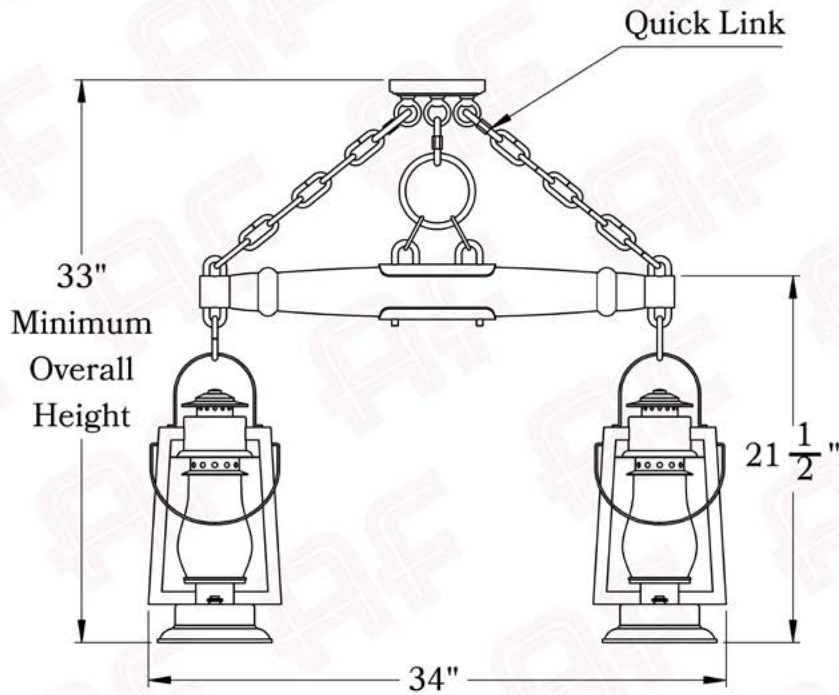
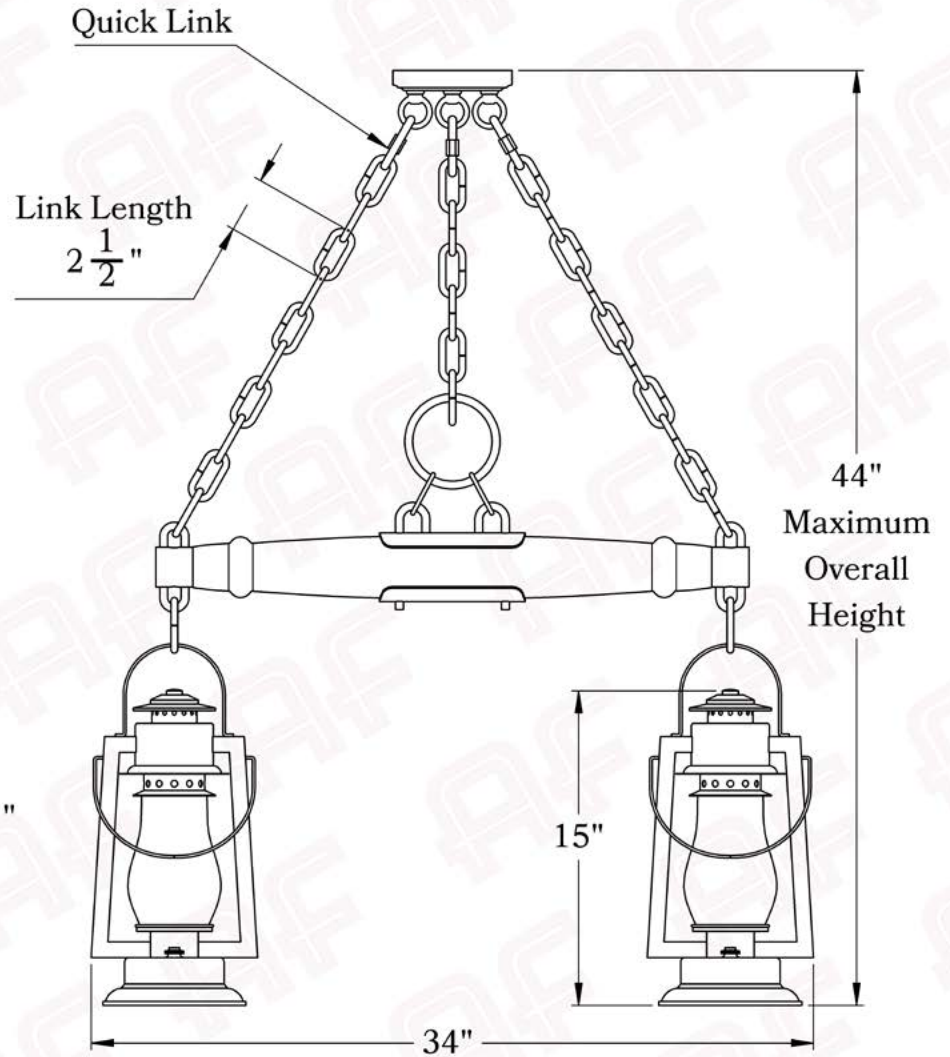
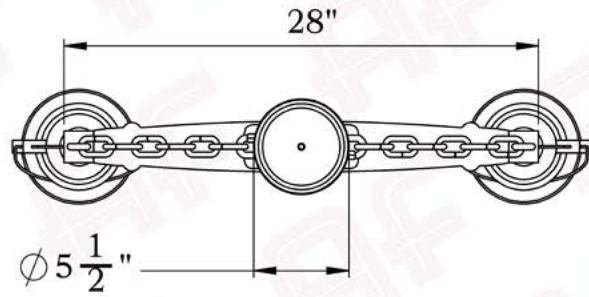


Product No. 772-S-92



**The Pioneer Series**  
*Yoke Chandelier*  
**Two Pendant Lanterns**

**AMERICA'S FINEST**   
*Lighting & Mailbox Co.*



**AMERICA'S FINEST**  
Lighting & Mailbox Co.  
975 N. Enterprise St. Orange, CA 92867

PRODUCT No. | 772-S-92  
TITLE | Pioneer  
UL RATING | Damp

LAMP BASE | Medium Base (E26)  
MAX WATTAGE | 2-60W  
VOLTAGE | 120V

**PROPRIETARY AND CONFIDENTIAL**  
The information contained in this drawing is the sole property of America's Finest. Any reproduction in part or as a whole without written permission from America's Finest is prohibited.

## Dimensions

Width	34"
Yoke Diameter	28"
Minimum Height	33"
Lantern Height	15"
Number of Lanterns	2
Canopy	5 1/2"

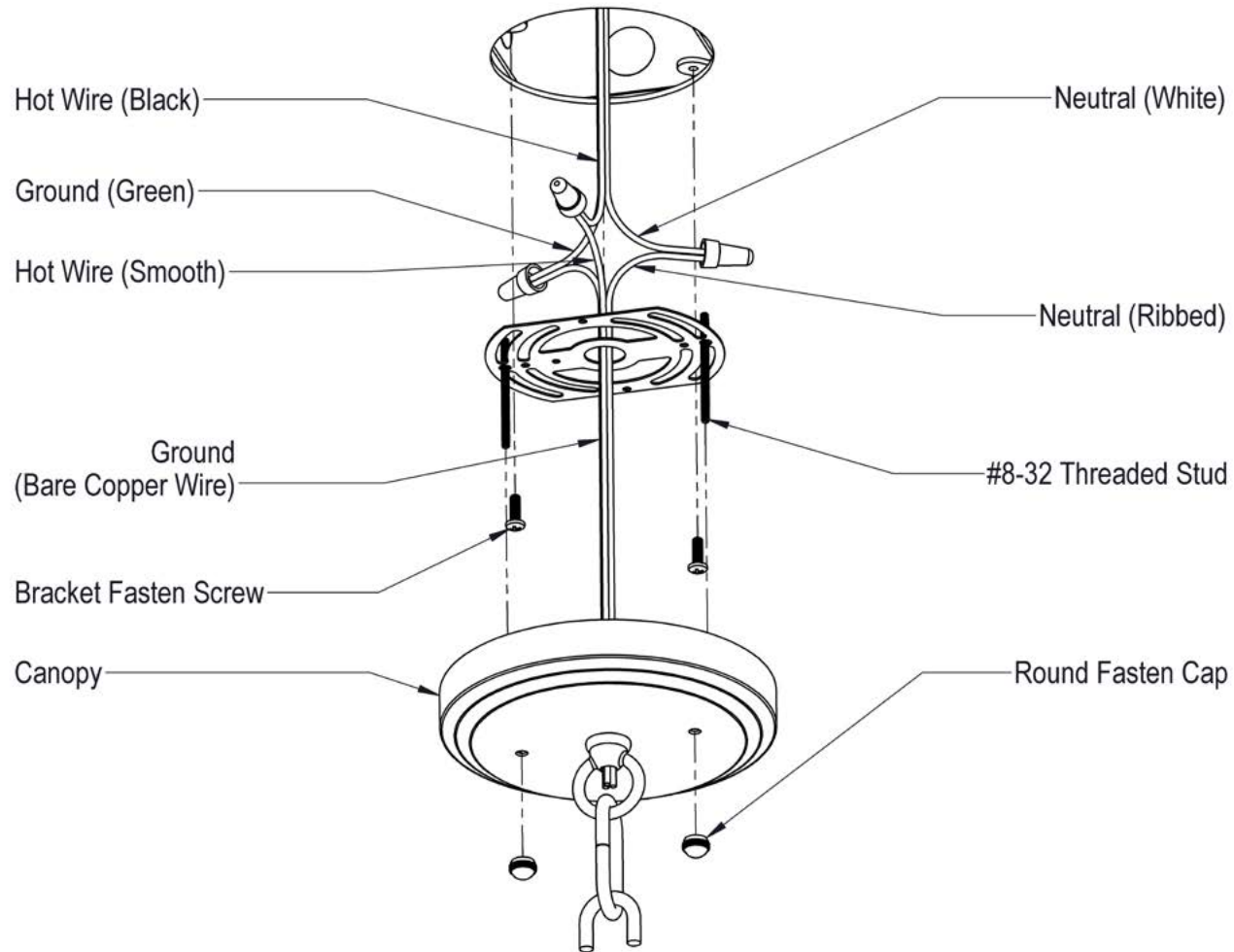
## Electrical Specs

UL Rating	Damp
Voltage	120V
Socket Type	Medium Base - E26
Number of Light Bulbs	2
Max Wattage per Bulb	60W
LED Bulb	Supplied
Dimmable	Yes

## Additional Information

Manufacturer	America's Finest Lighting
Mounting Location	Interior and Exterior
Material	Steel and Wood

**Mounting Instructions** | Yoke Chandeliers



**CAUTION—DISCONNECT POWER**

Always shut off power when installing or repairing this (or any other) electrical appliance. Failure to do so may result in severe injury or death. This product must be installed in accordance with applicable installation codes by a person familiar with the construction and operation of the product, and the hazards involved.