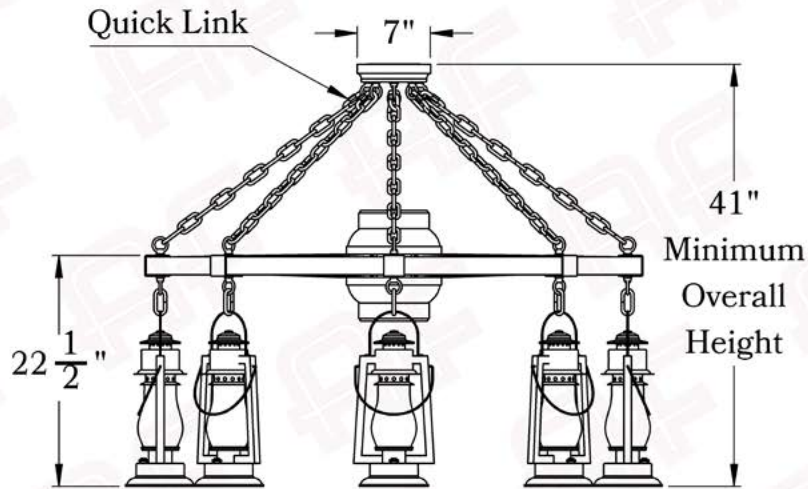
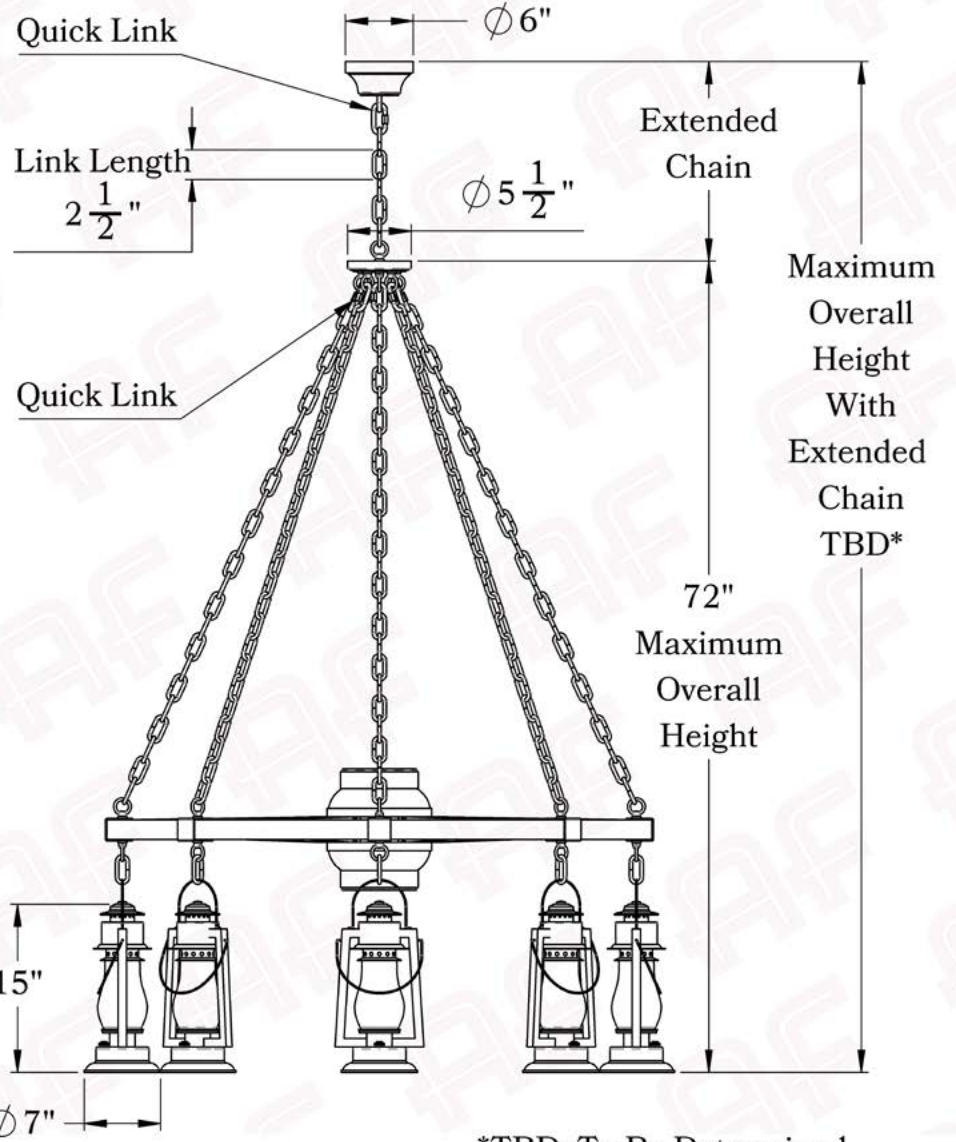
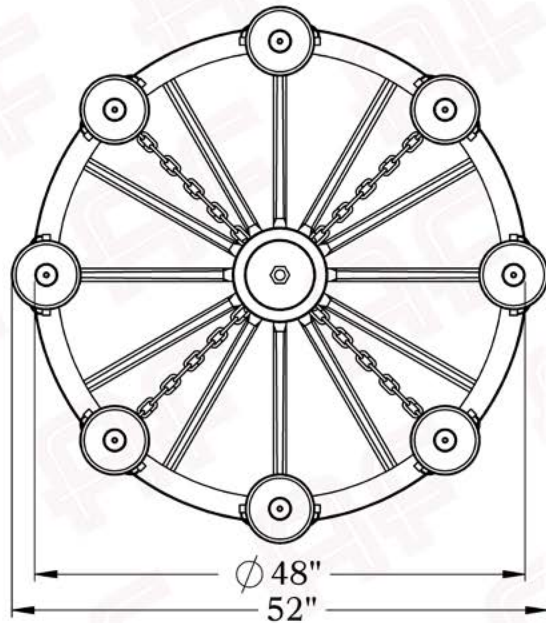


Product No. 772-S-48



The Pioneer Series
Wagon Wheel Chandelier
Eight Pendant Lanterns

AMERICA'S FINEST 
Lighting & Mailbox Co. 



*TBD: To Be Determined

AMERICA'S FINEST
Lighting & Mailbox Co.
975 N. Enterprise St. Orange, CA 92867

PRODUCT No. | 772-S-48
TITLE | Pioneer
UL RATING | Damp

LAMP BASE | Medium Base (E26)
MAX WATTAGE | 8-60W
VOLTAGE | 120V

PROPRIETARY AND CONFIDENTIAL
The information contained in this drawing is the sole property of America's Finest. Any reproduction in part or as a whole without written permission from America's Finest is prohibited.

Dimensions

Width	52"
Wheel Diameter	48"
Minimum Height	41"
Lantern Height	15"
Number of Lanterns	8
Canopy	See Drawing

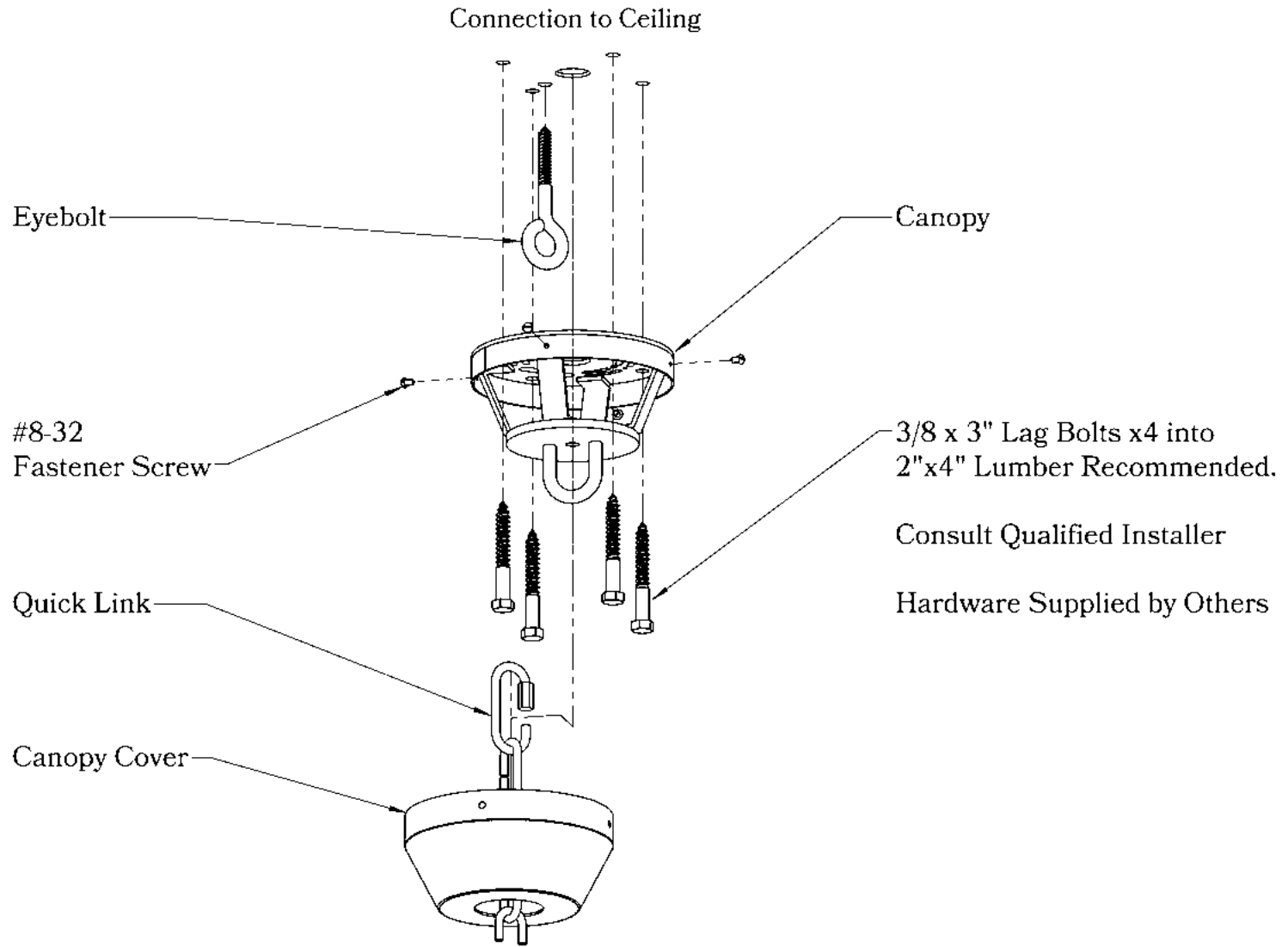
Electrical Specs

UL Rating	Damp
Voltage	120V
Socket Type	Medium Base - E26
Number of Light Bulbs	8
Max Wattage per Bulb	60W
LED Bulb	Supplied
Dimmable	Yes

Additional Information

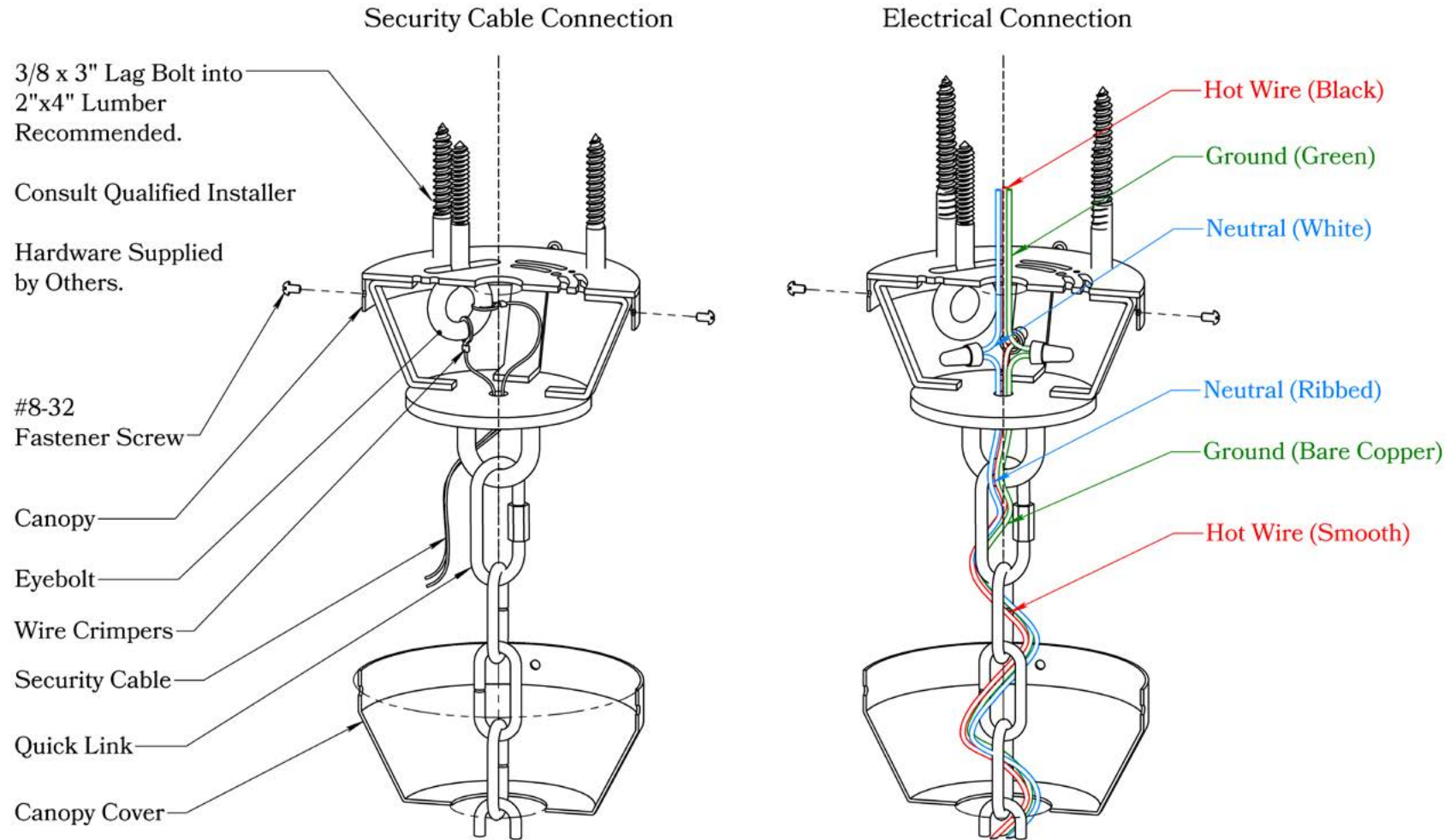
Manufacturer	America's Finest Lighting
Mounting Location	Interior and Exterior
Material	Steel and Wood

Mounting Instructions | Wagon Wheel Chandeliers w/ Extended Chain



Always shut off power when installing or repairing this (or any other) electrical appliance. Failure to do so may result in severe injury or death. This product must be installed in accordance with applicable installation codes by a person familiar with the construction and operation of the product, and the hazards involved.

Mounting Instructions | Wagon Wheel Chandeliers w/ Extended Chain



CAUTION—DISCONNECT POWER

Always shut off power when installing or repairing this (or any other) electrical appliance. Failure to do so may result in severe injury or death. This product must be installed in accordance with applicable installation codes by a person familiar with the construction and operation of the product, and the hazards involved.