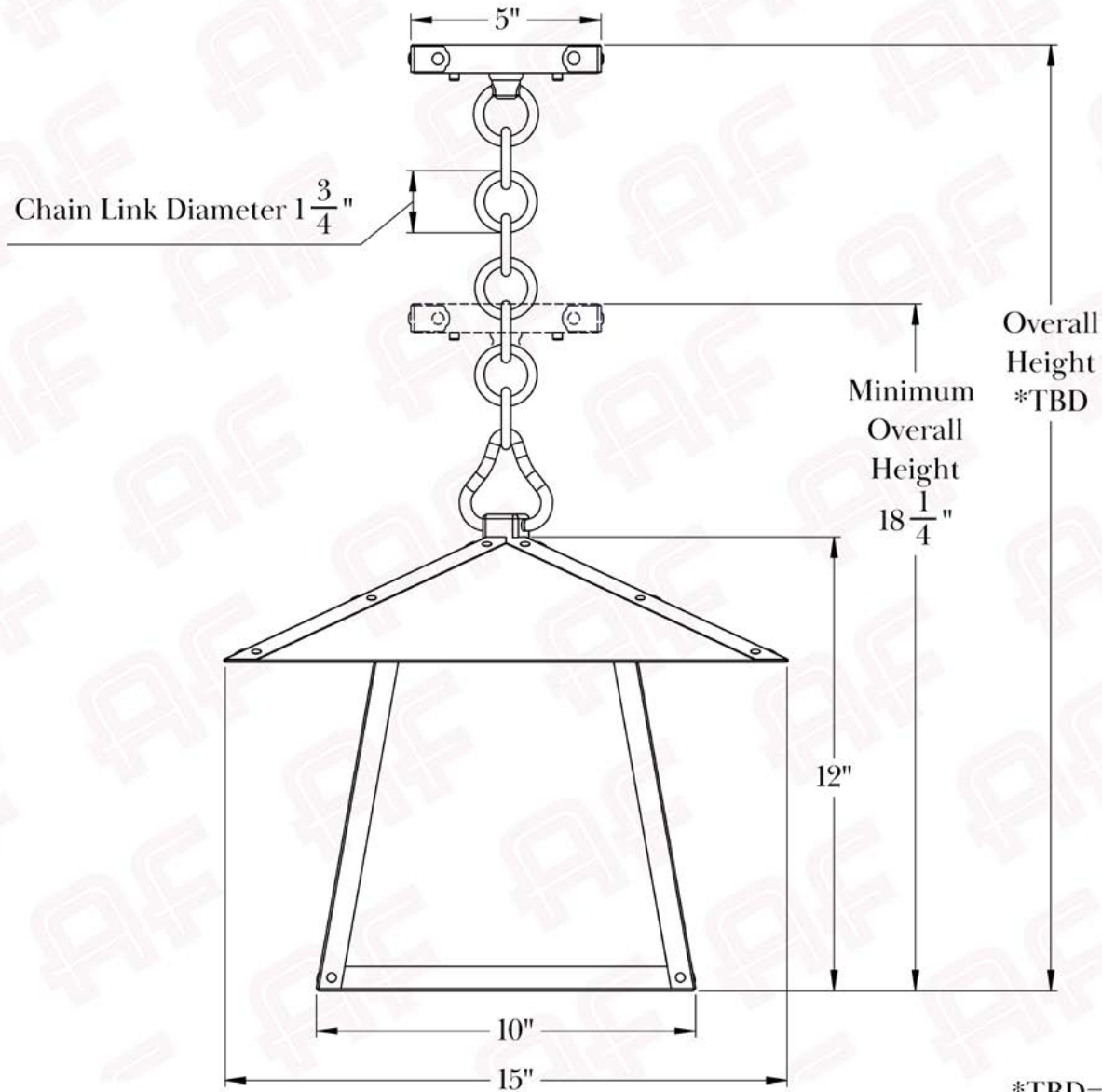




The Palisades Series
Chain Pendant Lantern
Large

AMERICA'S FINEST 
Lighting & Mailbox Co.

Large



*TBD= To be determined

AMERICA'S FINEST
Lighting & Mailbox Co.
 975 N. Enterprise St. Orange, CA 92867

PRODUCT No. | 424-4
 TITLE | Palisades
 UL RATING | Damp

LAMP BASE | Medium Base (E26)
 MAX WATTAGE | 100W
 VOLTAGE | 120V

PROPRIETARY AND CONFIDENTIAL
 The information contained in this drawing is the sole property of America's Finest. Any reproduction in part or as a whole without written permission from America's Finest is prohibited.

Dimensions

Roof Width	15"
Body Width	10"
Lantern Height	12"
Minimum Height	18 1/4"
Canopy	5"

Electrical Specs

UL Rating	Damp
Voltage	120V
Socket Type	Medium Base - E26
Number of Light Bulbs	1
Max Wattage per Bulb	100W
LED Bulb	Supplied
Dimmable	Yes

Additional Information

Manufacturer	America's Finest Lighting
Mounting Location	Interior and Exterior
Material	Brass
Multiple Overlay Options	Yes
Bottom Glass Panels	Included

Overlays Available In This Series



Arch



Arrow



Cloud Lift

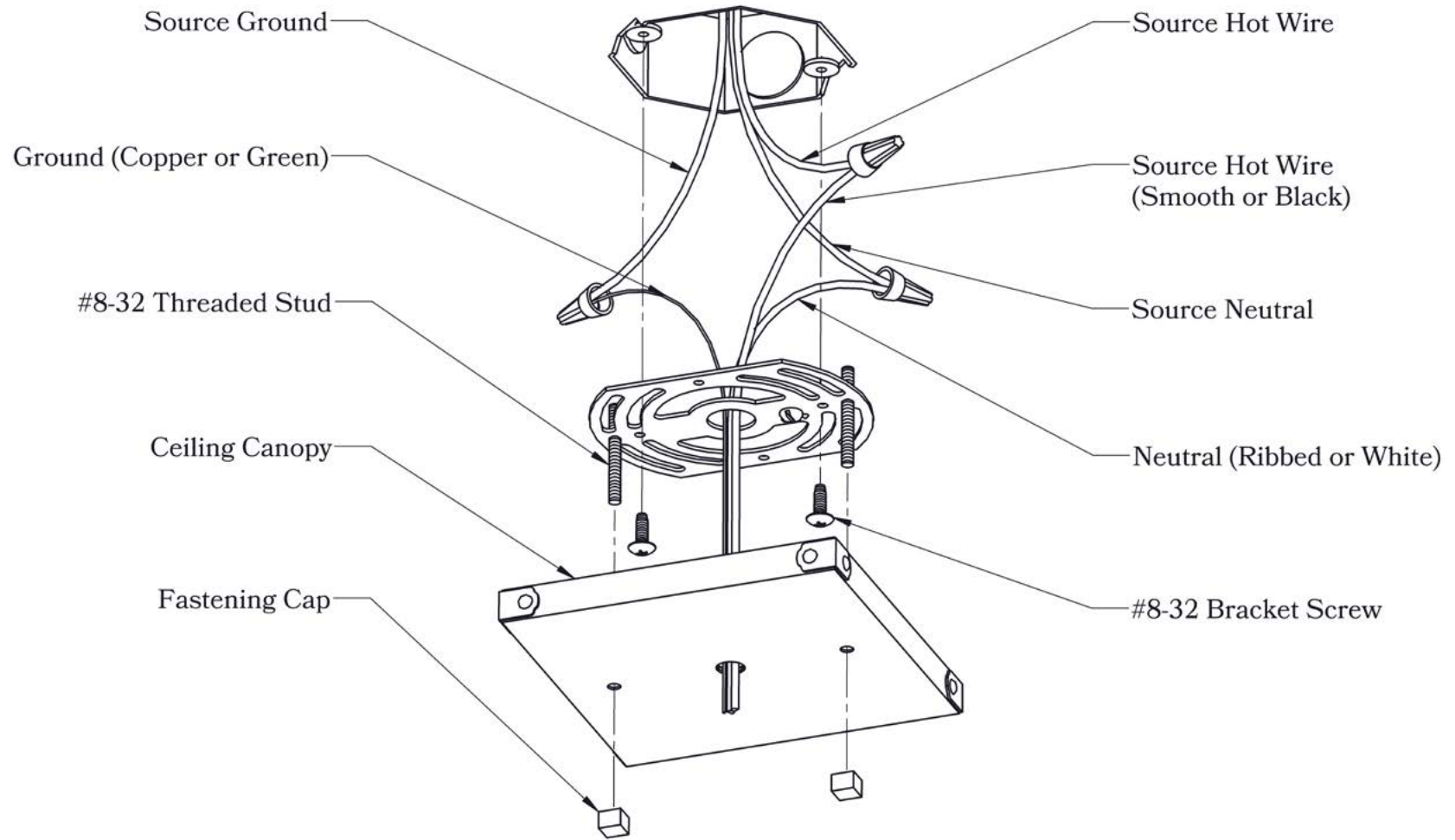


Double T



Glass Only

Mounting Instructions | Chain Mount Without Fire Pan



CAUTION—DISCONNECT POWER

Always shut off power when installing or repairing this (or any other) electrical appliance. Failure to do so may result in severe injury or death. This product must be installed in accordance with applicable installation codes by a person familiar with the construction and operation of the product, and the hazards involved.