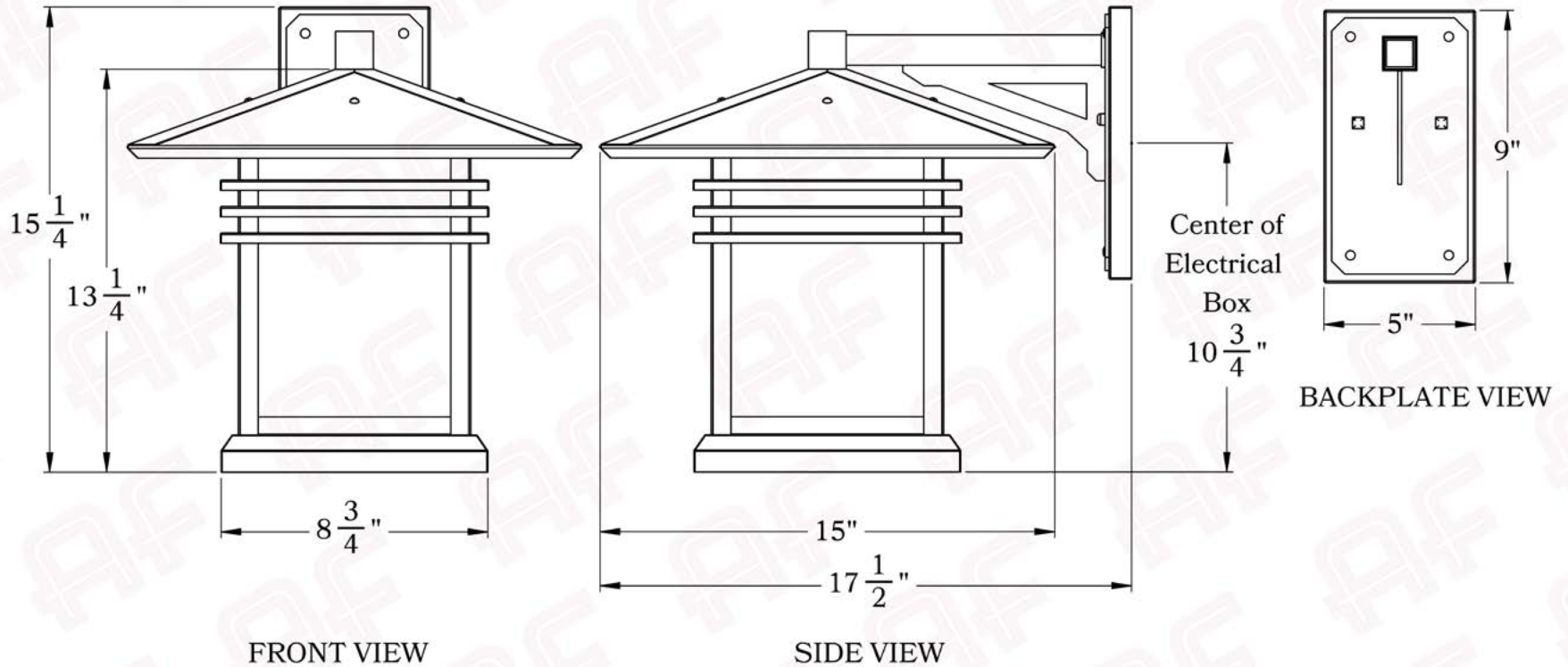




**The Mariposa Series**  
*Sconce*  
Large

**AMERICA'S FINEST**   
*Lighting & Mailbox Co.*

# Large



## Dimensions

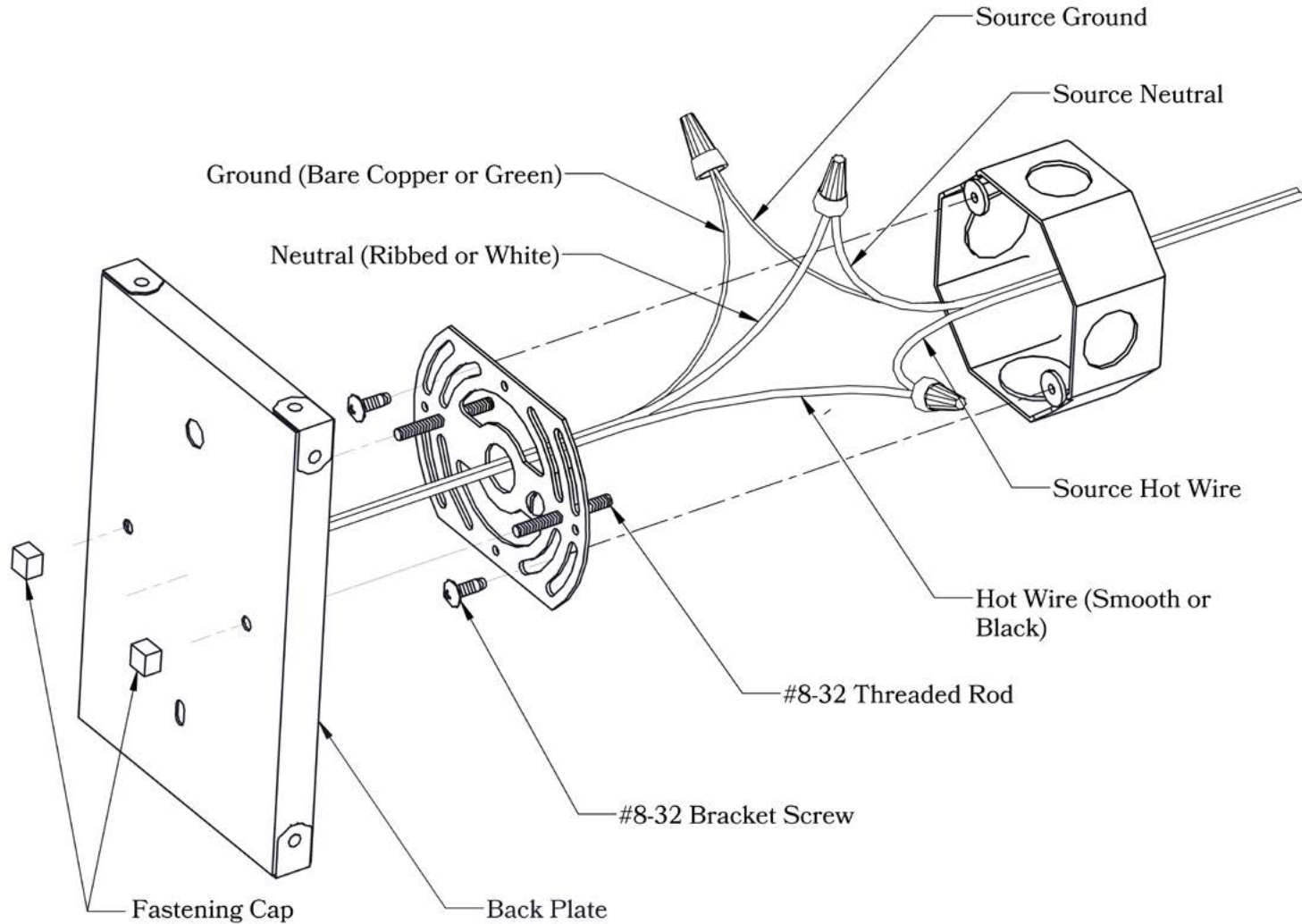
Roof Width	15"
Body Width	8 3/4"
Lantern Height	13 1/4"
Height	15 1/4"
Projection	17 1/2"
Mounting Plate	5" x 9"

## Electrical Specs

UL Rating	Wet
Voltage	120V
Socket Type	Medium Base - E26
Number of Light Bulbs	1
Max Wattage per Bulb	100W
LED Bulb	Supplied
Dimmable	Yes

## Additional Information

Manufacturer	America's Finest Lighting
Mounting Location	Interior and Exterior
Material	Brass
Multiple Overlay Options	No
Bottom Glass Panels	Included

**Mounting Instructions** | Wall Mount With Caps**CAUTION—DISCONNECT POWER**

Always shut off power when installing or repairing this (or any other) electrical appliance. Failure to do so may result in severe injury or death. This product must be installed in accordance with applicable installation codes by a person familiar with the construction and operation of the product, and the hazards involved.