

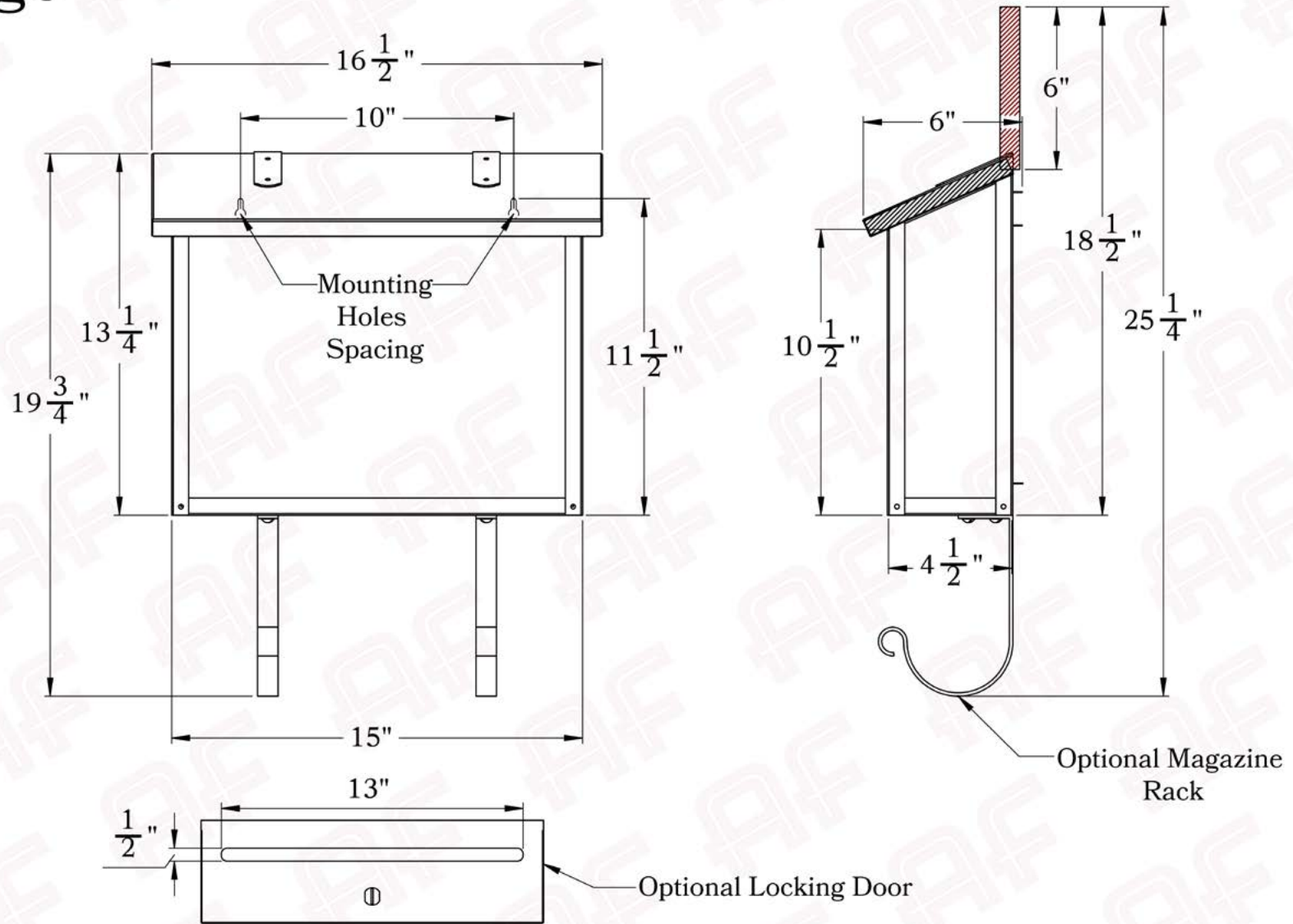


Wall Mount Mailbox

Large

AMERICA'S FINEST 
Lighting & Mailbox Co.

Large



Dimensions

Width	16 1/2"
Body Width	15"
Height	13 1/4"
Projection	5 1/2"
Lid Dimensions	16 1/2" x 6"

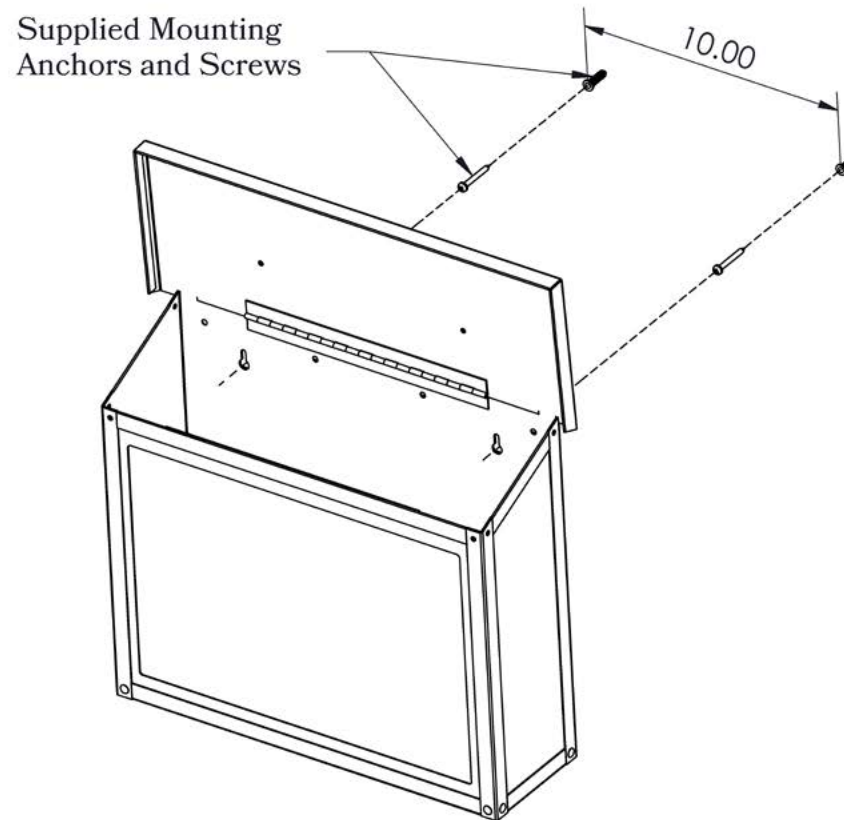
Additional Information

Manufacturer	America's Finest Lighting
Mounting Location	Exterior
Material	Brass

Accessories

Locking Door	Must be ordered with new mailbox.
Magazine Rack	Matching finish. Can be added later.

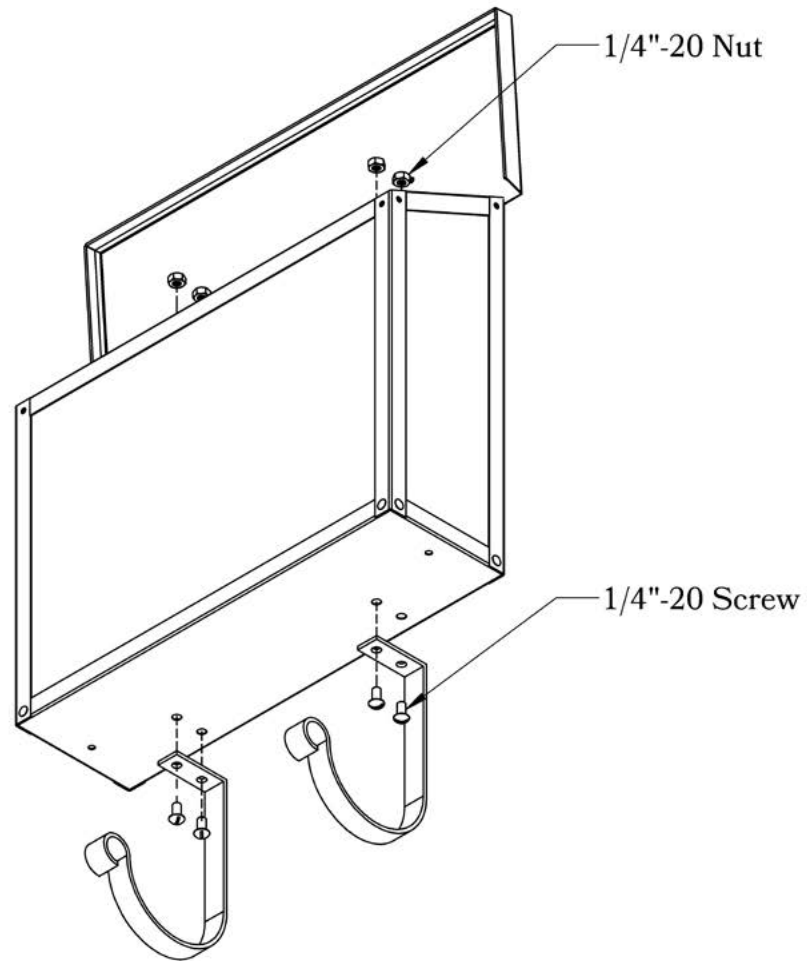
Mounting Instructions | Large Mailbox



1. Using a $\frac{1}{4}$ " drill bit, mark and drill two level holes 10" apart.
2. Hammer the blue plug anchors into the holes.
3. Screw the two #10 screws into the two blue anchors, leaving $\frac{1}{2}$ " of thread exposed outside the wall.
4. Slide the mailbox over the two stainless steel screws using the two key slot holes in the back of the mailbox. Once the heads of the screws have passed the back wall of the mailbox, allow the box to drop down and rest level on to the screws.
5. Gently tighten the screws until the mailbox is snug to the wall. Do not over tighten.

IF YOU ORDERED THE OPTIONAL MAGAZINE RACK:

Mounting Instructions | Large Mailbox



1. Attach the magazine rack to the bottom of the mailbox with the four screws and nuts provided in your parts kit.