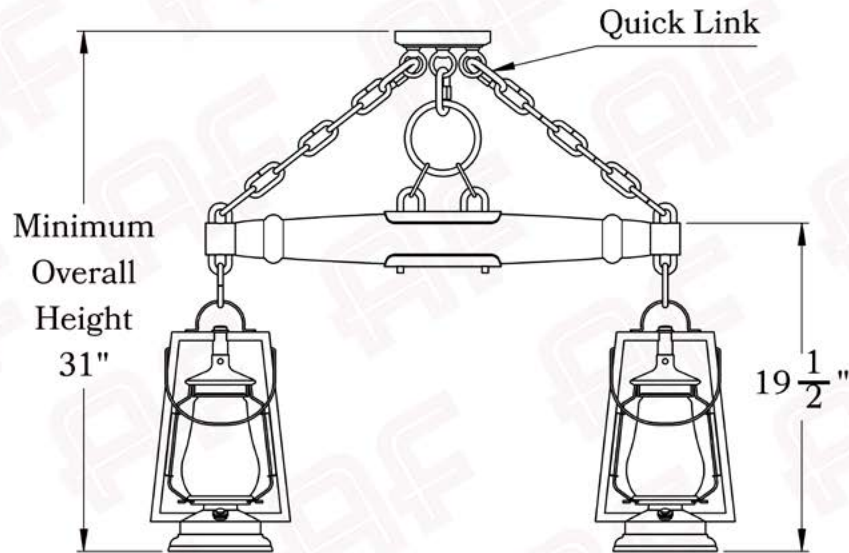
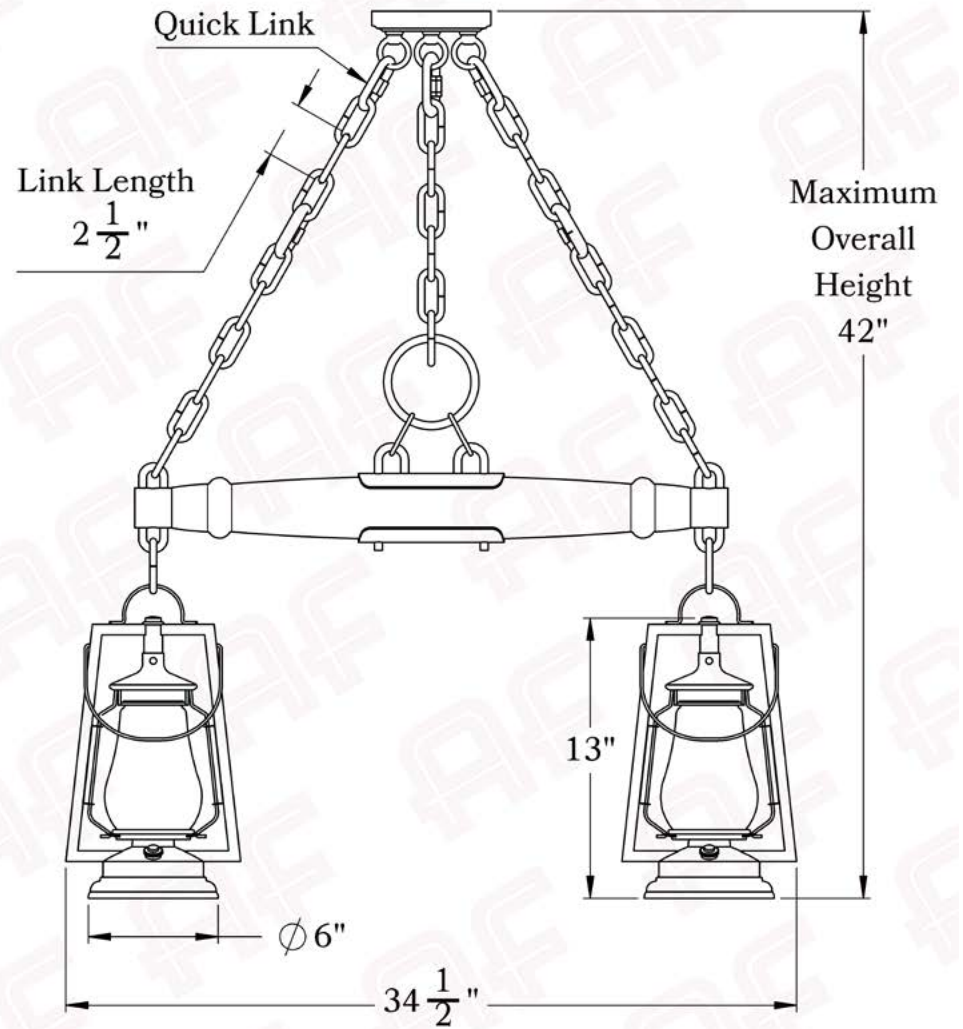
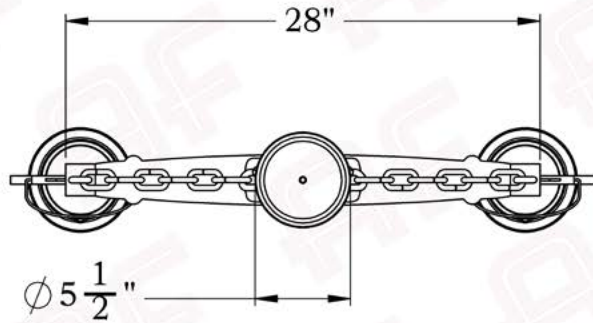




The Forty-Niner Series
Yoke Chandelier
Two Pendant Lanterns

AMERICA'S FINEST 
 *Lighting & Mailbox Co.* 



AMERICA'S FINEST
Lighting & Mailbox Co.
 975 N. Enterprise St. Orange, CA 92867

PRODUCT No. | 752-S-92
 TITLE | Forty-Niner
 UL RATING | Damp

LAMP BASE | Medium Base (E26)
 MAX WATTAGE | 2-60W
 VOLTAGE | 120V

PROPRIETARY AND CONFIDENTIAL
 The information contained in this drawing is the sole property of America's Finest. Any reproduction in part or as a whole without written permission from America's Finest is prohibited.

Dimensions

| | |
|--------------------|---------|
| Width | 34 1/2" |
| Yoke Diameter | 28" |
| Minimum Height | 31" |
| Lantern Height | 13" |
| Number of Lanterns | 2 |
| Canopy | 5 1/2" |

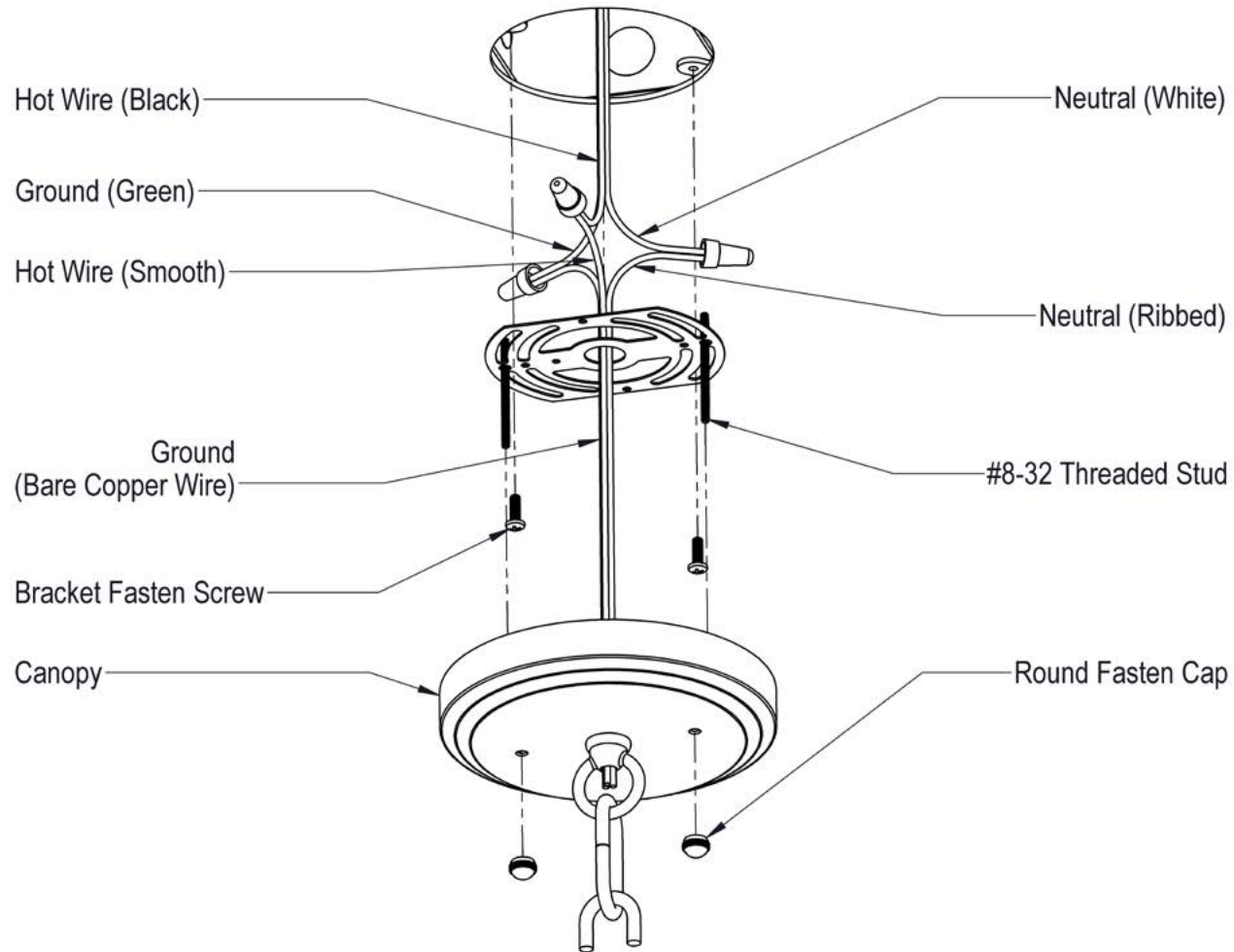
Electrical Specs

| | |
|-----------------------|-------------------|
| UL Rating | Damp |
| Voltage | 120V |
| Socket Type | Medium Base - E26 |
| Number of Light Bulbs | 2 |
| Max Wattage per Bulb | 60W |
| LED Bulb | Supplied |
| Dimmable | Yes |

Additional Information

| | |
|-------------------|---------------------------|
| Manufacturer | America's Finest Lighting |
| Mounting Location | Interior and Exterior |
| Material | Steel and Wood |

Mounting Instructions | Yoke Chandeliers



CAUTION—DISCONNECT POWER

Always shut off power when installing or repairing this (or any other) electrical appliance. Failure to do so may result in severe injury or death. This product must be installed in accordance with applicable installation codes by a person familiar with the construction and operation of the product, and the hazards involved.