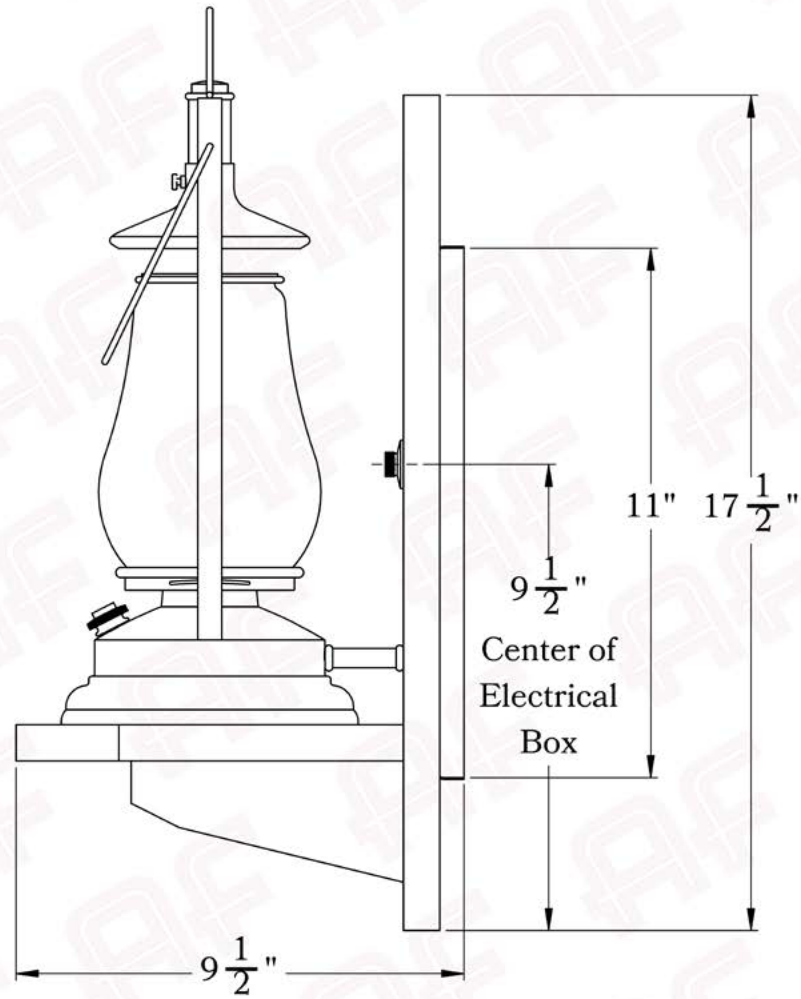
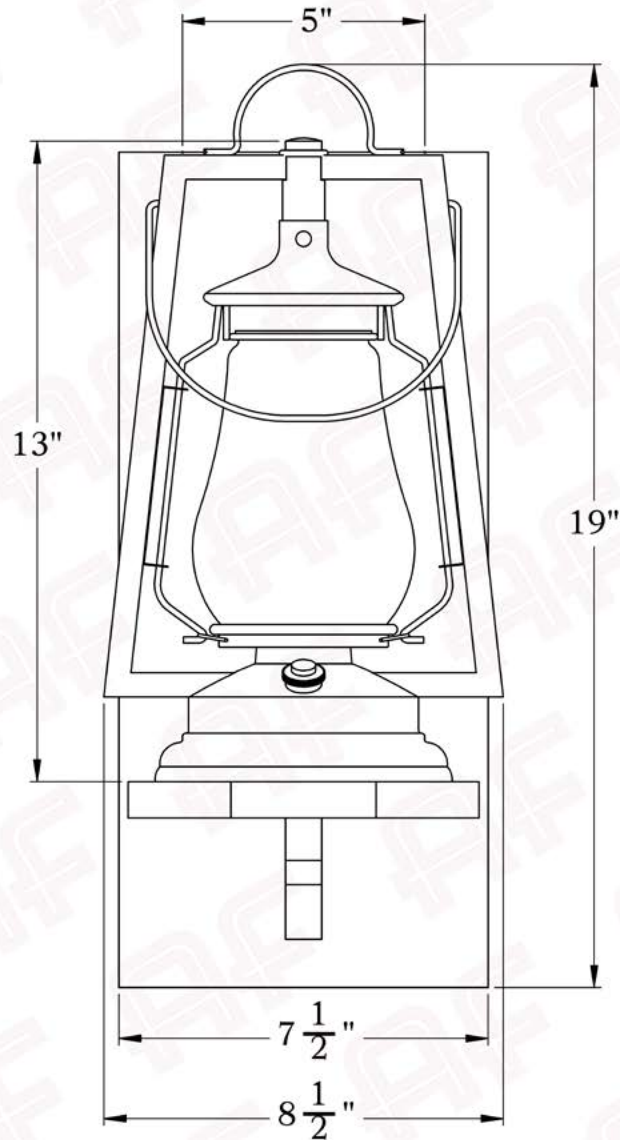


Product No. 752-S-8



The Forty-Niner Series
Sconce with Wood Plate
Small

AMERICA'S FINEST 
Lighting & Mailbox Co. 



AMERICA'S FINEST
 Lighting & Mailbox Co.
 975 N. Enterprise St. Orange, CA 92867

PRODUCT No. 752-S-8
 TITLE Forty-Niner
 UL RATING Damp

LAMP BASE Medium Base (E26)
 MAX WATTAGE 60W
 VOLTAGE 120V

PROPRIETARY AND CONFIDENTIAL
 The information contained in this drawing is the sole property of America's Finest. Any reproduction in part or as a whole without written permission from America's Finest is prohibited.

Dimensions

Lantern Width	8 1/2"
Lantern Height	13"
Shelf Dimensions	7 1/2" x 17 1/2"
Height	19"
Projection	9 1/2"
Mounting Plate	5" x 11"

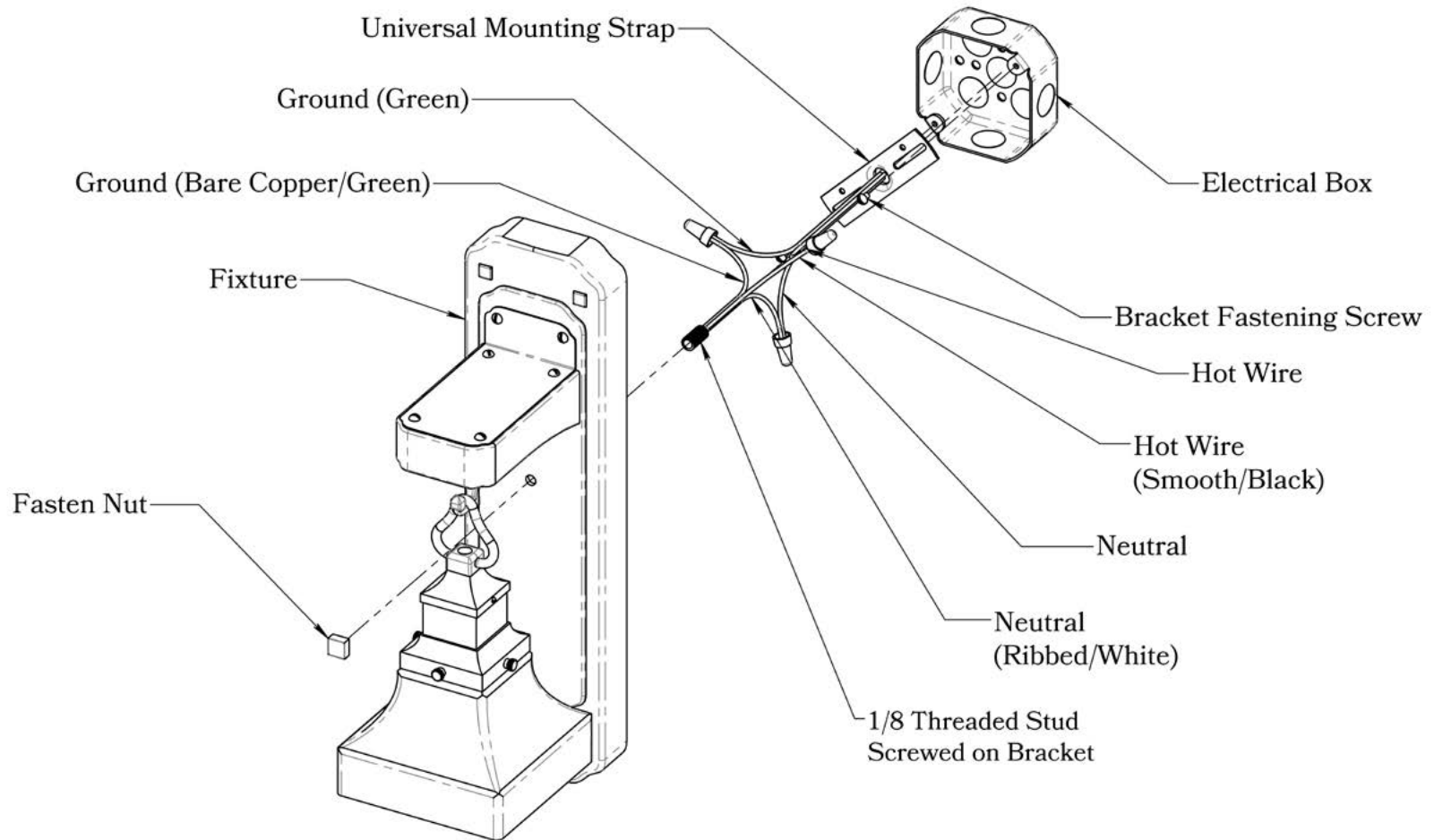
Electrical Specs

UL Rating	Damp
Voltage	120V
Socket Type	Medium Base - E26
Number of Light Bulbs	1
Max Wattage per Bulb	60W
LED Bulb	Supplied
Dimmable	Yes

Additional Information

Manufacturer	America's Finest Lighting
Mounting Location	Interior and Exterior
Material	Steel & Cedar

Mounting Instructions | Center Mounting Cap Wall Mount



CAUTION—DISCONNECT POWER

Always shut off power when installing or repairing this (or any other) electrical appliance. Failure to do so may result in severe injury or death. This product must be installed in accordance with applicable installation codes by a person familiar with the construction and operation of the product, and the hazards involved.