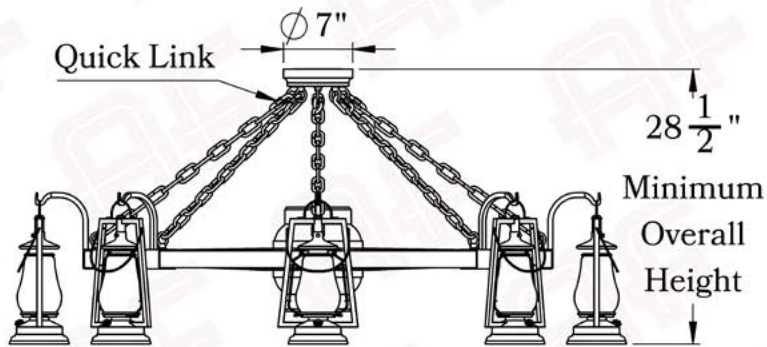
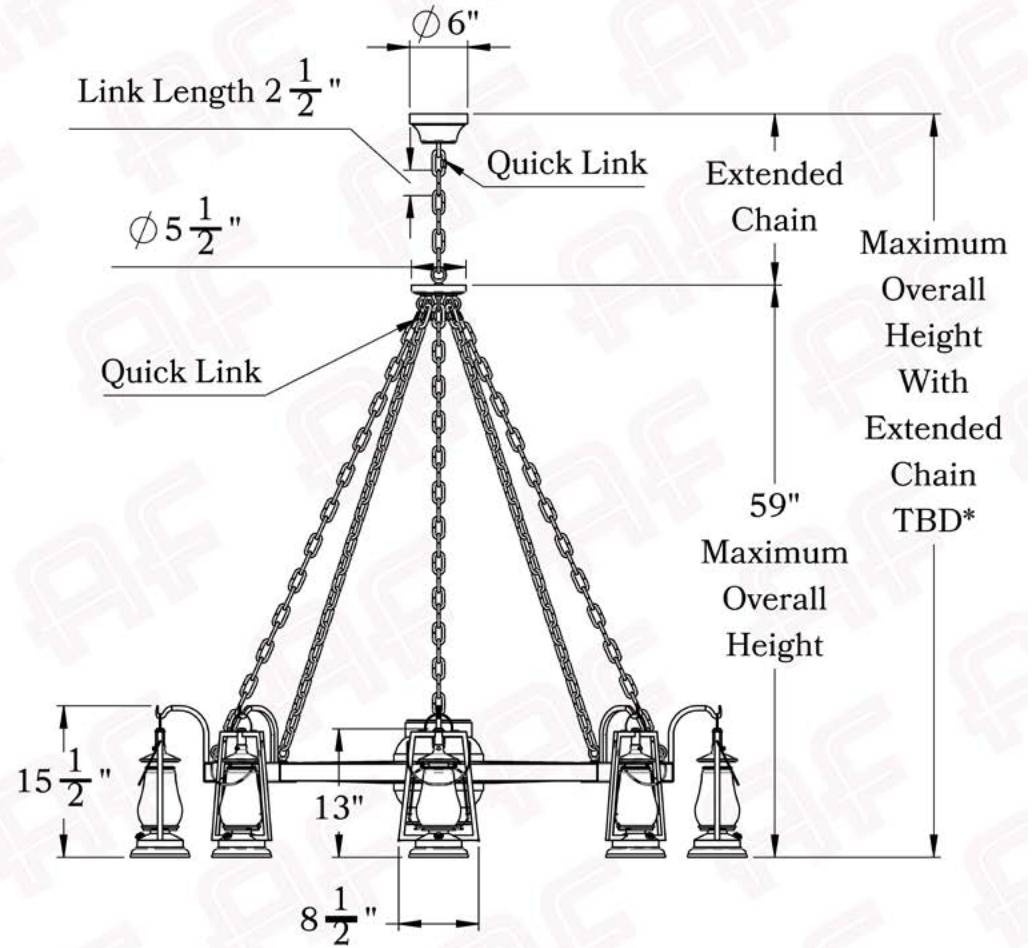
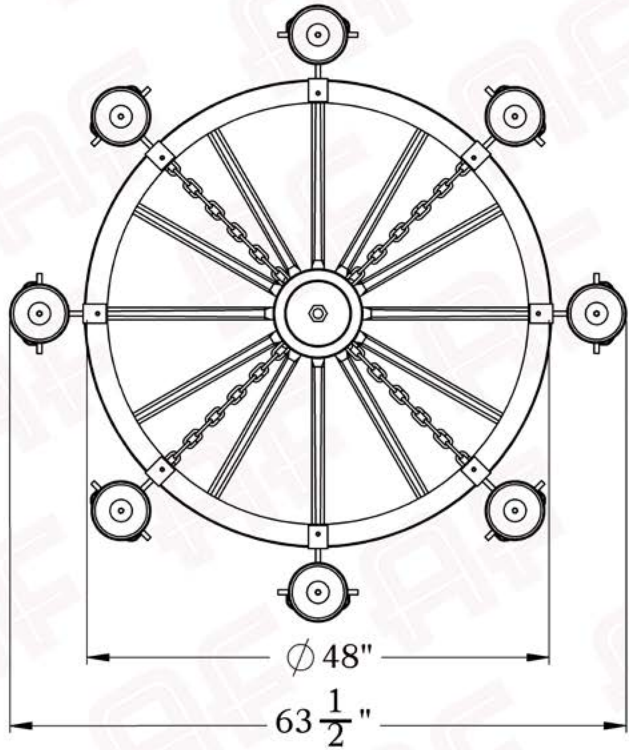




The Forty-Niner Series
Wagon Wheel Chandelier
Eight Mounted Lanterns

AMERICA'S FINEST 
Lighting & Mailbox Co.



*TBD: To Be Determined

AMERICA'S FINEST
Lighting & Mailbox Co.
975 N. Enterprise St. Orange, CA 92867

PRODUCT No. 752-S-58
TITLE Forty-Niner
UL RATING Damp

LAMP BASE Medium Base (E26)
MAX WATTAGE 8-60W
VOLTAGE 120V

PROPRIETARY AND CONFIDENTIAL
The information contained in this drawing is the sole property of America's Finest. Any reproduction in part or as a whole without written permission from America's Finest is prohibited.

Dimensions

Width	63 1/2"
Wheel Diameter	48 1/2"
Minimum Height	31 1/2"
Lantern Height	13"
Number of Lanterns	8
Canopy	See Drawing

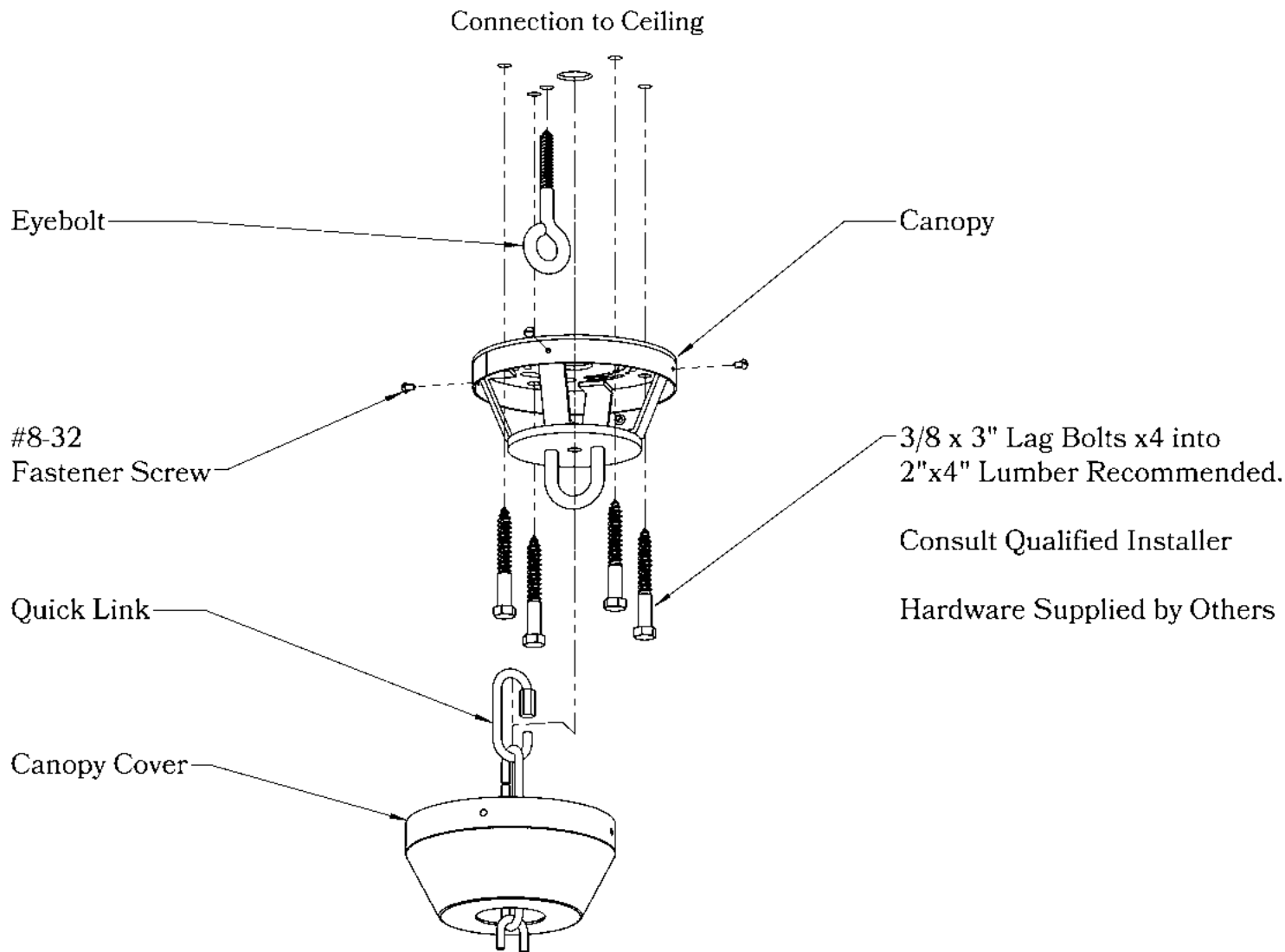
Electrical Specs

UL Rating	Damp
Voltage	120V
Socket Type	Medium Base - E26
Number of Light Bulbs	8
Max Wattage per Bulb	60W
LED Bulb	Supplied
Dimmable	Yes

Additional Information

Manufacturer	America's Finest Lighting
Mounting Location	Interior and Exterior
Material	Steel and Wood

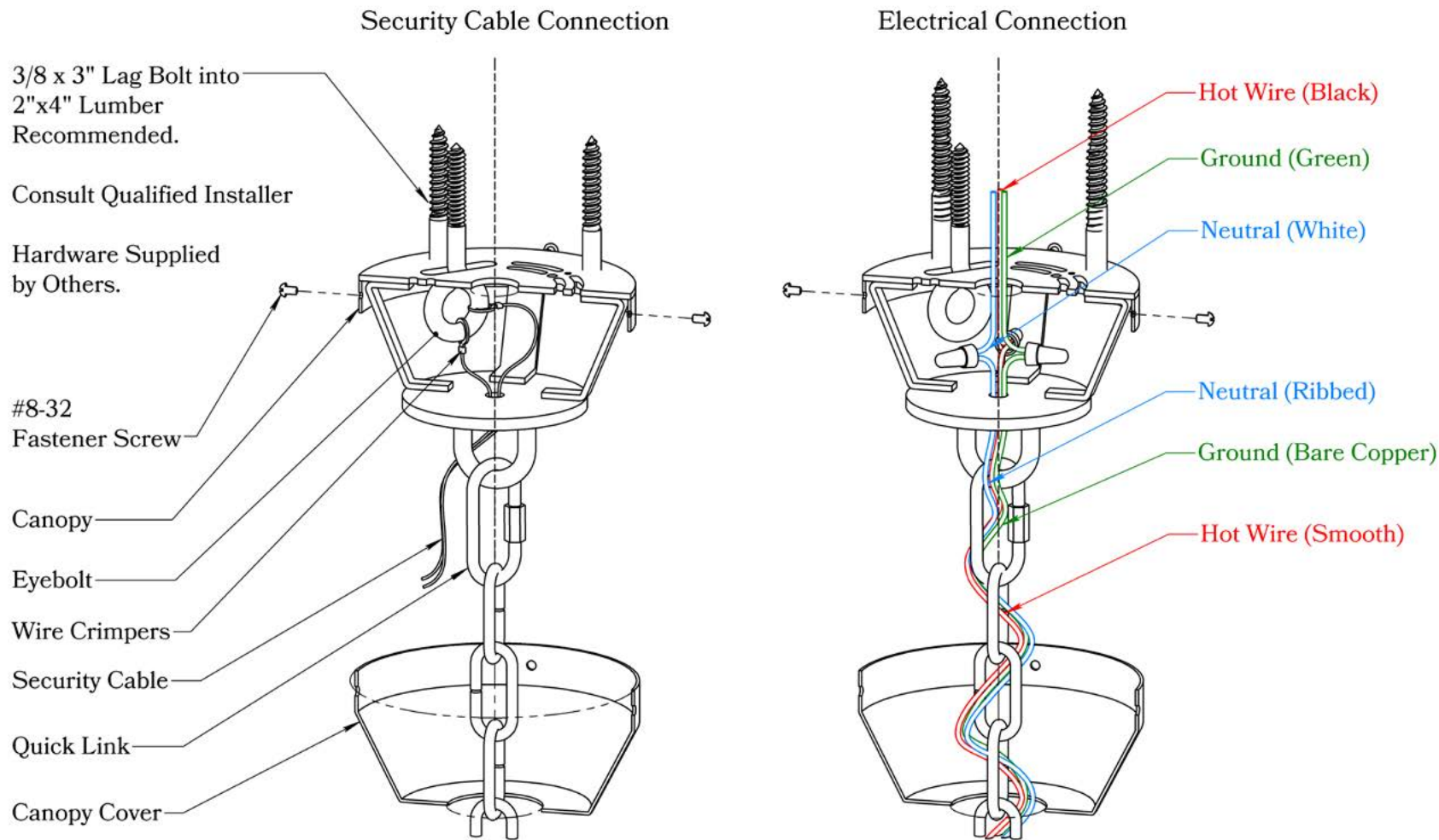
Mounting Instructions | Wagon Wheel Chandeliers w/ Extended Chain



CAUTION—DISCONNECT POWER

Always shut off power when installing or repairing this (or any other) electrical appliance. Failure to do so may result in severe injury or death. This product must be installed in accordance with applicable installation codes by a person familiar with the construction and operation of the product, and the hazards involved.

Mounting Instructions | Wagon Wheel Chandeliers w/ Extended Chain



CAUTION—DISCONNECT POWER

Always shut off power when installing or repairing this (or any other) electrical appliance. Failure to do so may result in severe injury or death. This product must be installed in accordance with applicable installation codes by a person familiar with the construction and operation of the product, and the hazards involved.