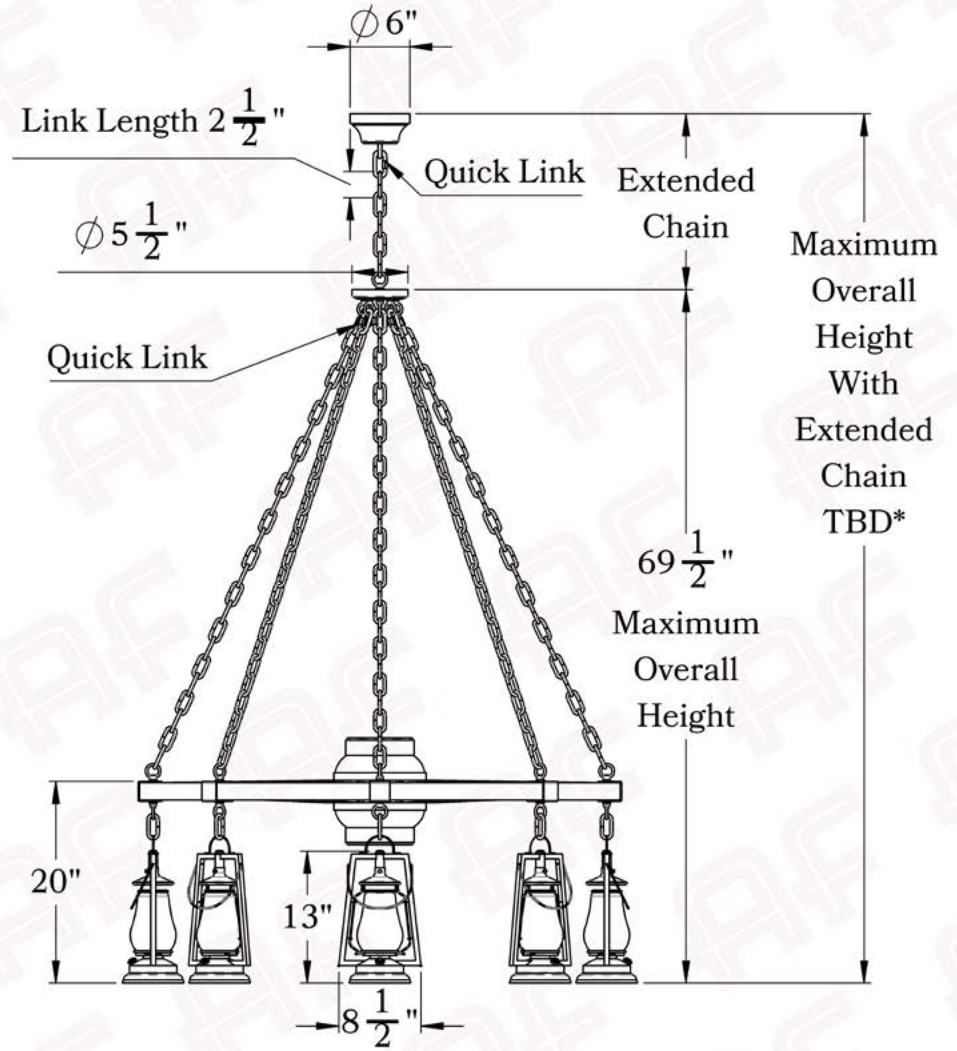
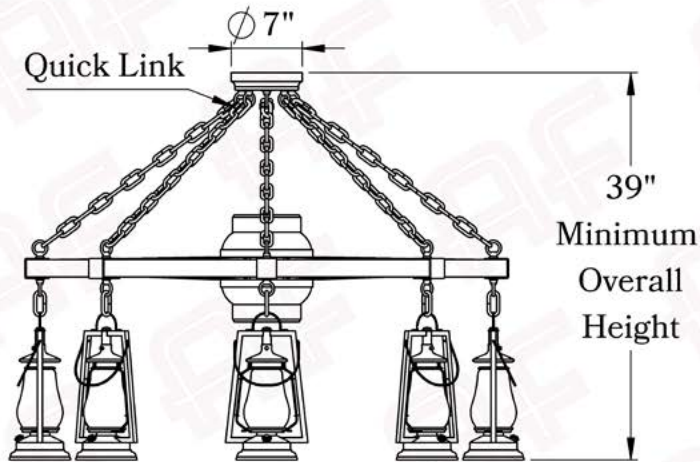
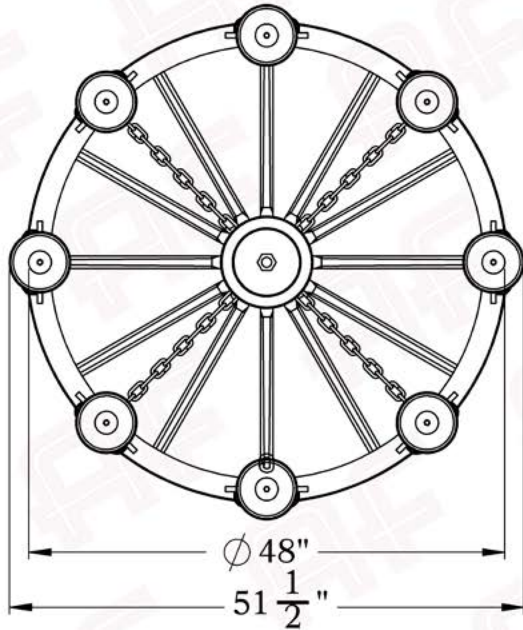




**The Forty-Niner Series**  
*Wagon Wheel Chandelier*  
**Eight Pendant Lanterns**

**AMERICA'S FINEST**   
 *Lighting & Mailbox Co.* 



\*TBD: To Be Determined

## Dimensions

Width	51 1/2"
Wheel Diameter	48"
Minimum Height	39"
Lantern Height	13"
Number of Lanterns	8
Canopy	See Drawing

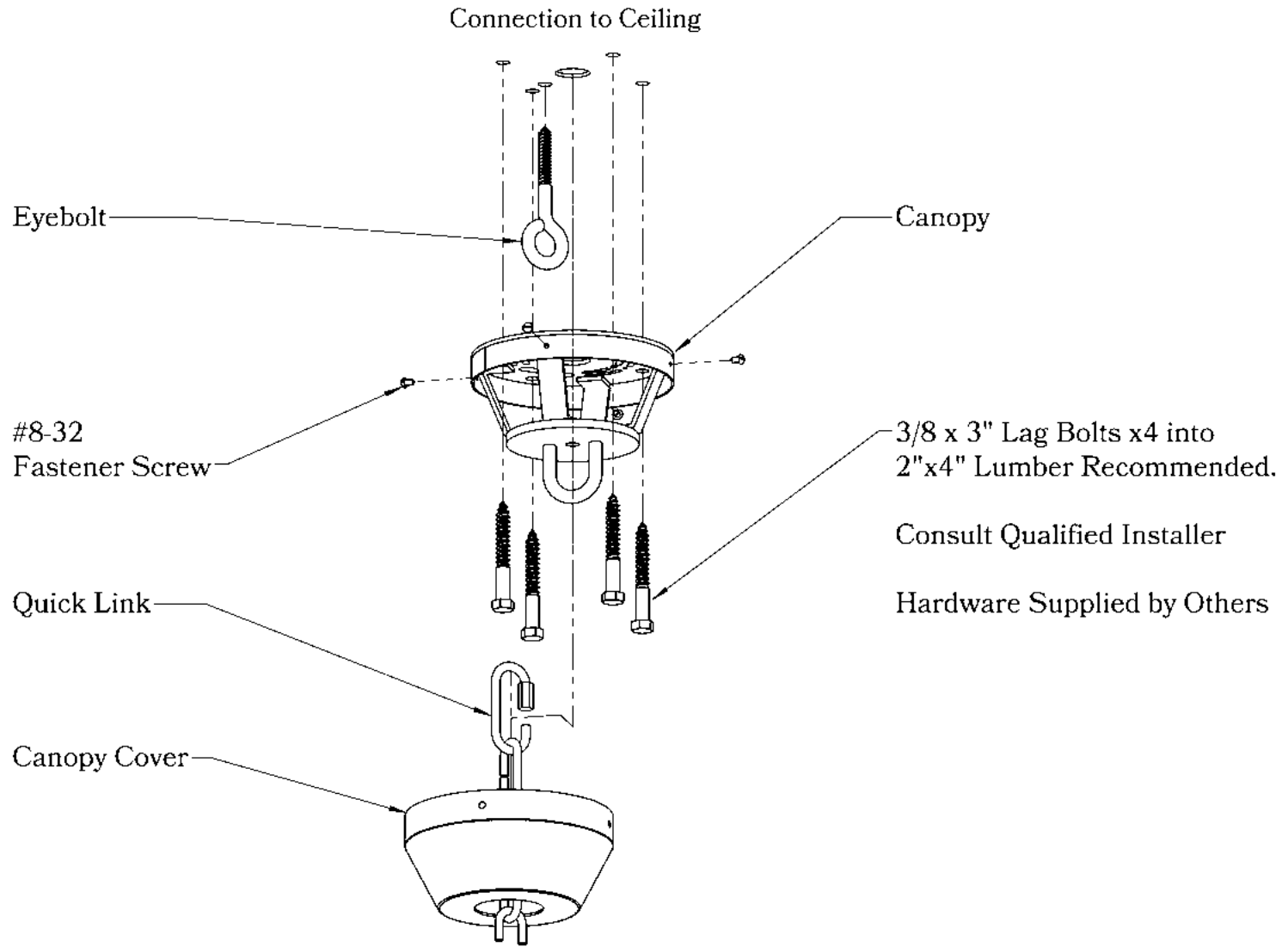
## Electrical Specs

UL Rating	Damp
Voltage	120V
Socket Type	Medium Base - E26
Number of Light Bulbs	8
Max Wattage per Bulb	60W
LED Bulb	Supplied
Dimmable	Yes

## Additional Information

Manufacturer	America's Finest Lighting
Mounting Location	Interior and Exterior
Material	Steel and Wood

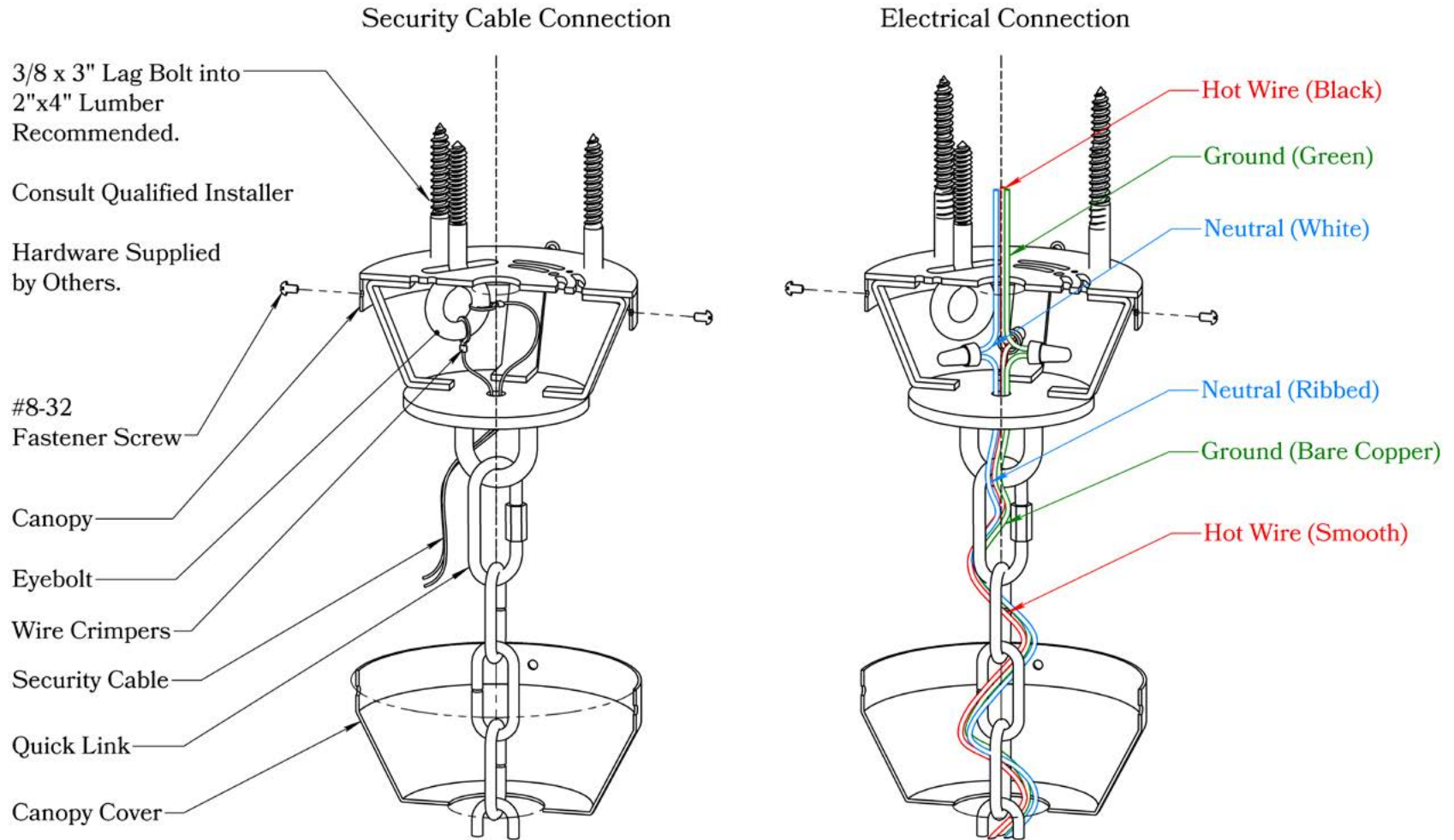
Mounting Instructions | Wagon Wheel Chandeliers w/ Extended Chain



**CAUTION—DISCONNECT POWER**

Always shut off power when installing or repairing this (or any other) electrical appliance. Failure to do so may result in severe injury or death. This product must be installed in accordance with applicable installation codes by a person familiar with the construction and operation of the product, and the hazards involved.

**Mounting Instructions** | Wagon Wheel Chandeliers w/ Extended Chain



**CAUTION—DISCONNECT POWER**

Always shut off power when installing or repairing this (or any other) electrical appliance. Failure to do so may result in severe injury or death. This product must be installed in accordance with applicable installation codes by a person familiar with the construction and operation of the product, and the hazards involved.