

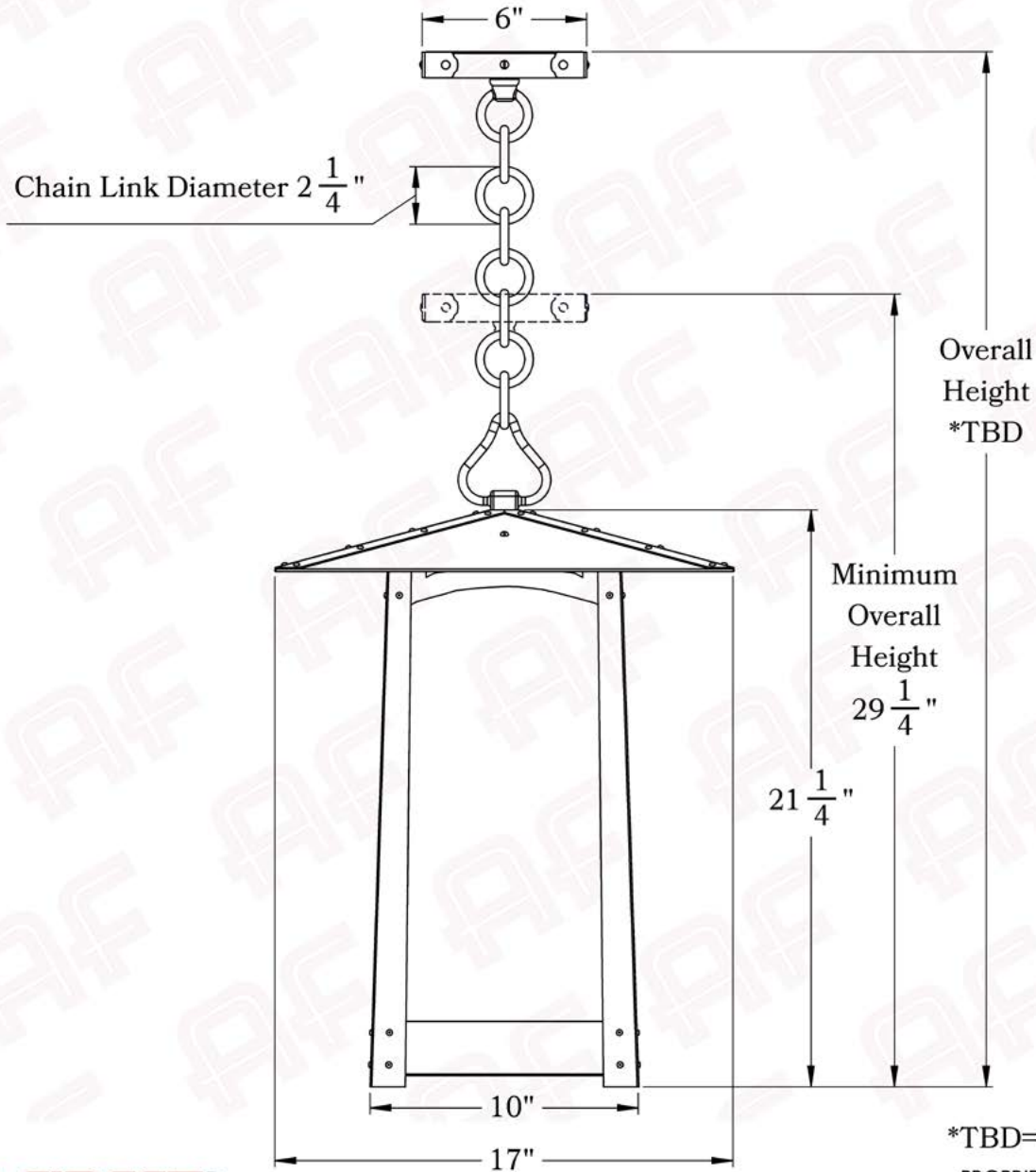
Product No. 635-4



The Cobblestone Series
Chain Pendant Lantern
Extra Large

AMERICA'S FINEST 
Lighting & Mailbox Co. 

X Large



*TBD= To be determined

PROPRIETARY AND CONFIDENTIAL

The information contained in this drawing is the sole property of America's Finest. Any reproduction in part or as a whole without written permission from America's Finest is prohibited.

AMERICA'S FINEST
Lighting & Mailbox Co.
 975 N. Enterprise St. Orange, CA 92867

PRODUCT No.	635-4	LAMP BASE	Medium Base (E26)
TITLE	Cobblestone	MAX WATTAGE	100W
UL RATING	Damp	VOLTAGE	120V

Dimensions

Roof Width	17"
Body Width	10"
Lantern Height	21 1/4"
Minimum Height	28 1/4"
Canopy	6"

Electrical Specs

UL Rating	Damp
Voltage	120V
Socket Type	Medium Base - E26
Number of Light Bulbs	1
Max Wattage per Bulb	100W
LED Bulb	Supplied
Dimmable	Yes

Additional Information

Manufacturer	America's Finest Lighting
Mounting Location	Interior and Exterior
Material	Brass
Multiple Overlay Options	Yes
Bottom Glass Panels	Included

Overlays Available In This Series



Dragonfly



Japanese Maple



Monterey Cypress



Monterey Pine

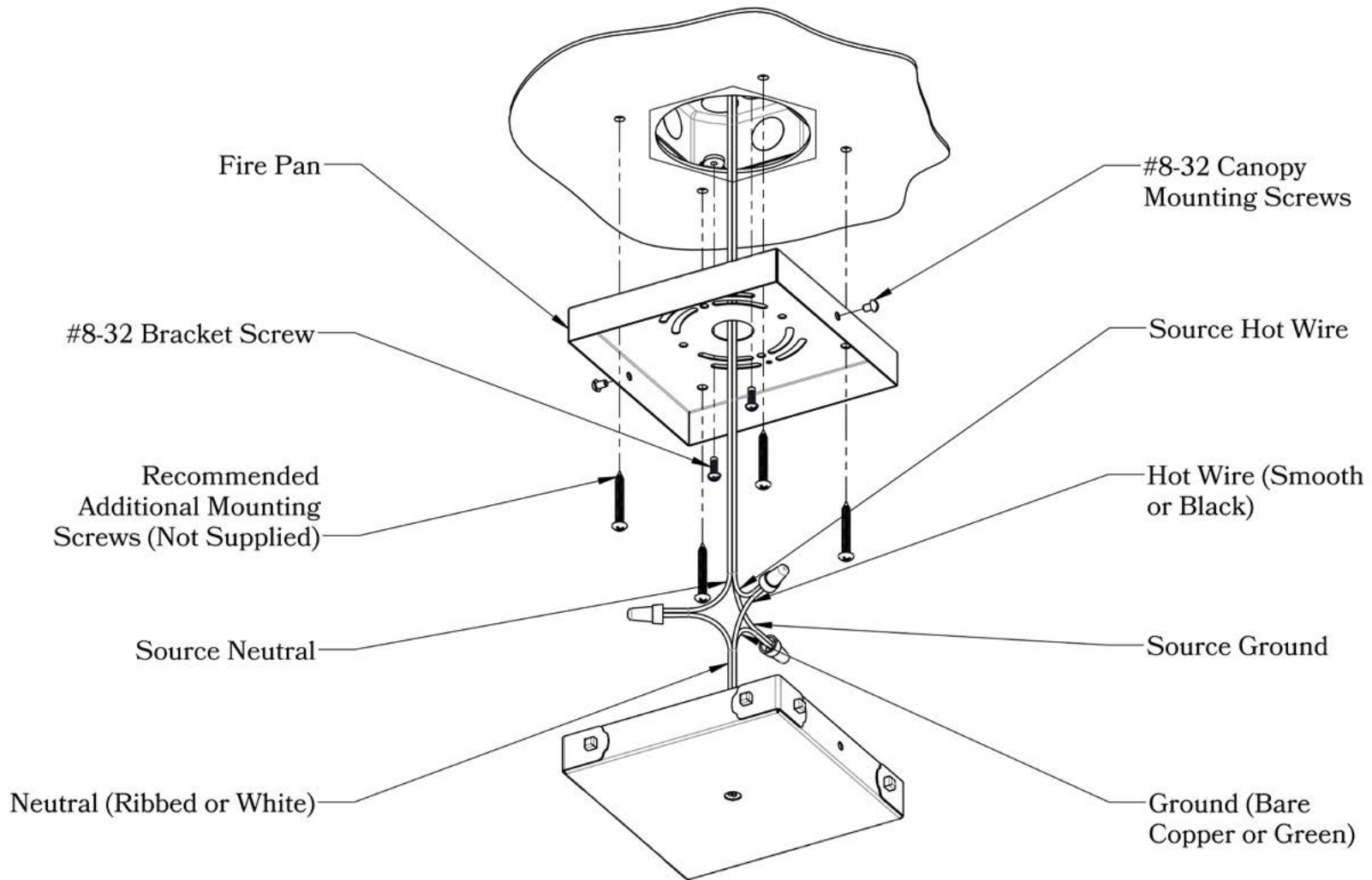


Wisteria



Glass Only

Mounting Instructions | Chain Mount With Fire Pan



CAUTION—DISCONNECT POWER

Always shut off power when installing or repairing this (or any other) electrical appliance. Failure to do so may result in severe injury or death. This product must be installed in accordance with applicable installation codes by a person familiar with the construction and operation of the product, and the hazards involved.