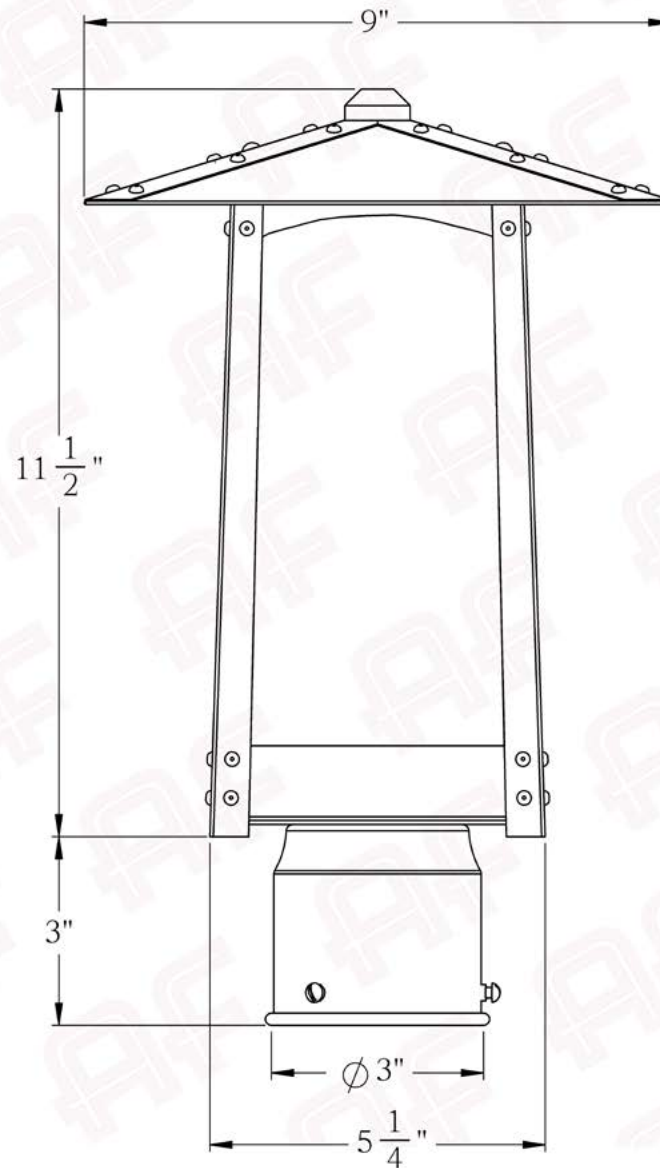




The Cobblestone Series
Post Mount Lantern
Medium

AMERICA'S FINEST 
Lighting & Mailbox Co.

Medium



AMERICA'S FINEST
Lighting & Mailbox Co.
 975 N. Enterprise St. Orange, CA 92867

PRODUCT No.	633-3	LAMP BASE	MediumBase (E26)
TITLE	Cobblestone	MAX WATTAGE	100W
UL RATING	Wet	VOLTAGE	12V or 120V

PROPRIETARY AND CONFIDENTIAL
 The information contained in this drawing is the sole property of America's Finest. Any reproduction in part or as a whole without written permission from America's Finest is prohibited.

Dimensions

Roof Width	9"
Body Width	5 1/4"
Lantern Height	11 1/2"
Height	14 1/2"
Mounts To	3" Diameter Post

Electrical Specs

UL Rating	Wet
Voltage	12V or 120V
Socket Type	Medium Base - E26
Number of Light Bulbs	1
Max Wattage per Bulb	100W
LED Bulb	Supplied

Additional Information

Manufacturer	America's Finest Lighting
Mounting Location	Exterior Only
Material	Brass
Multiple Overlay Options	Yes

Overlays Available In This Series



Dragonfly



Japanese Maple



Monterey Cypress



Monterey Pine

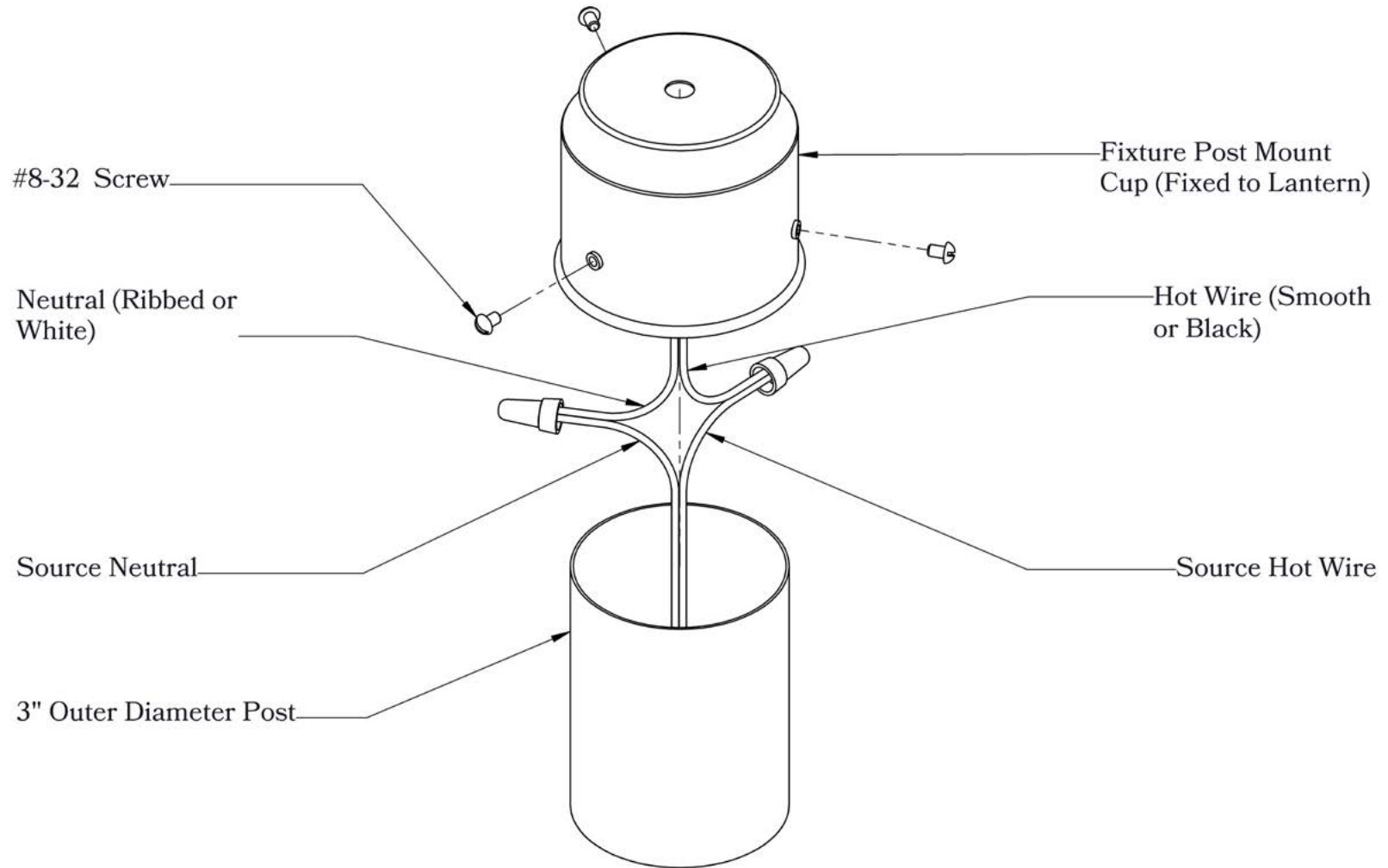


Wisteria



Glass Only

Mounting Instructions | 3-inch Metal Post (12 Volts)



CAUTION—DISCONNECT POWER

Always shut off power when installing or repairing this (or any other) electrical appliance. Failure to do so may result in severe injury or death. This product must be installed in accordance with applicable installation codes by a person familiar with the construction and operation of the product, and the hazards involved.