

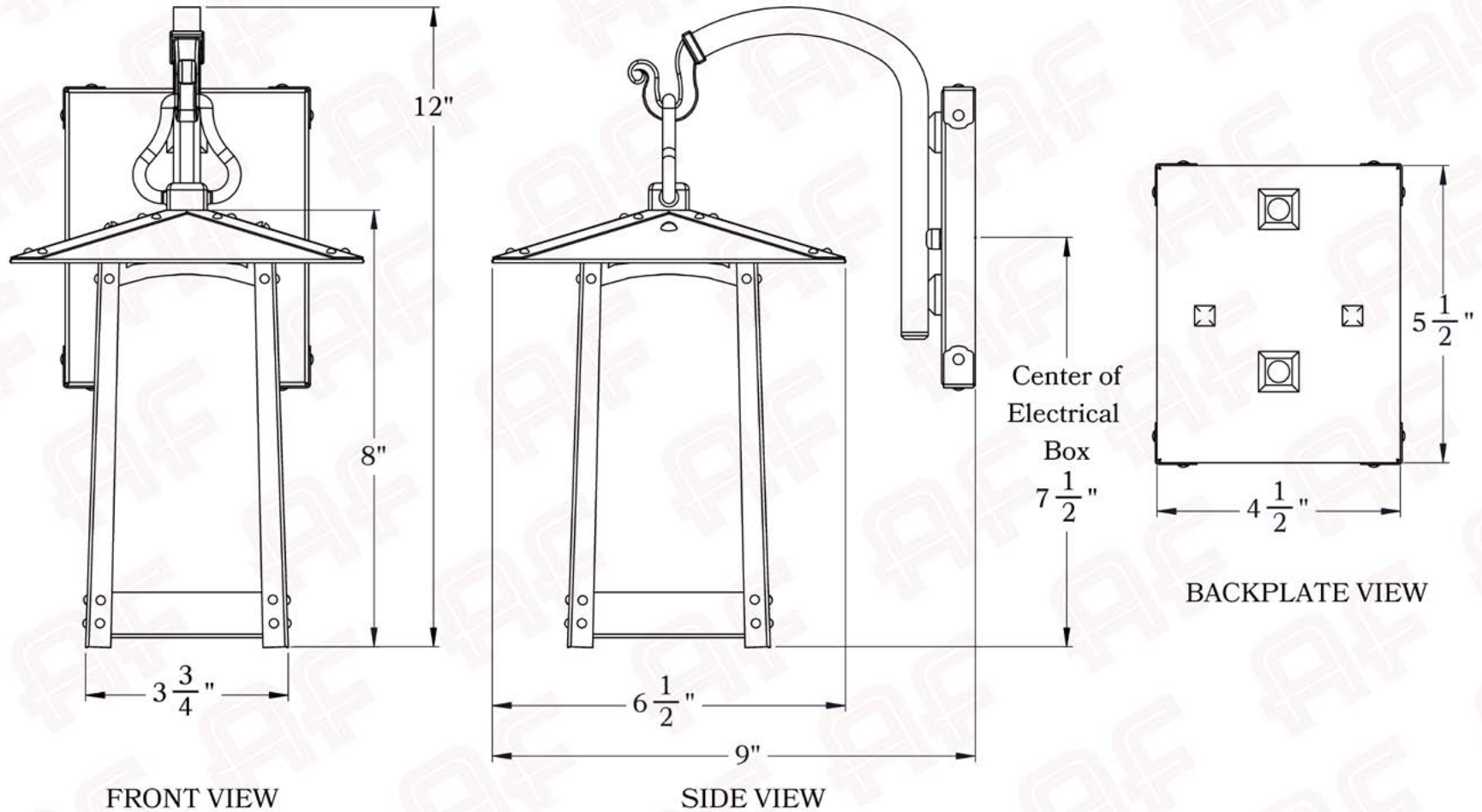
Product No. 632-1



The Cobblestone Series
Hook Arm Sconce
Small

AMERICA'S FINEST 
Lighting & Mailbox Co. 

Small



Dimensions

Roof Width	6 1/2"
Body Width	3 3/4"
Lantern Height	8"
Height	12"
Projection	9 1/4"
Mounting Plate	4 1/2" x 5 1/2"

Electrical Specs

UL Rating	Damp
Voltage	120V
Socket Type	Medium Base - E26
Number of Light Bulbs	1
Max Wattage per Bulb	60W
LED Bulb	Supplied
Dimmable	Yes

Additional Information

Manufacturer	America's Finest Lighting
Mounting Location	Interior and Exterior
Material	Brass
Multiple Overlay Options	Yes
Bottom Glass Panels	Included

Overlays Available In This Series



Dragonfly



Japanese Maple



Monterey Cypress



Monterey Pine

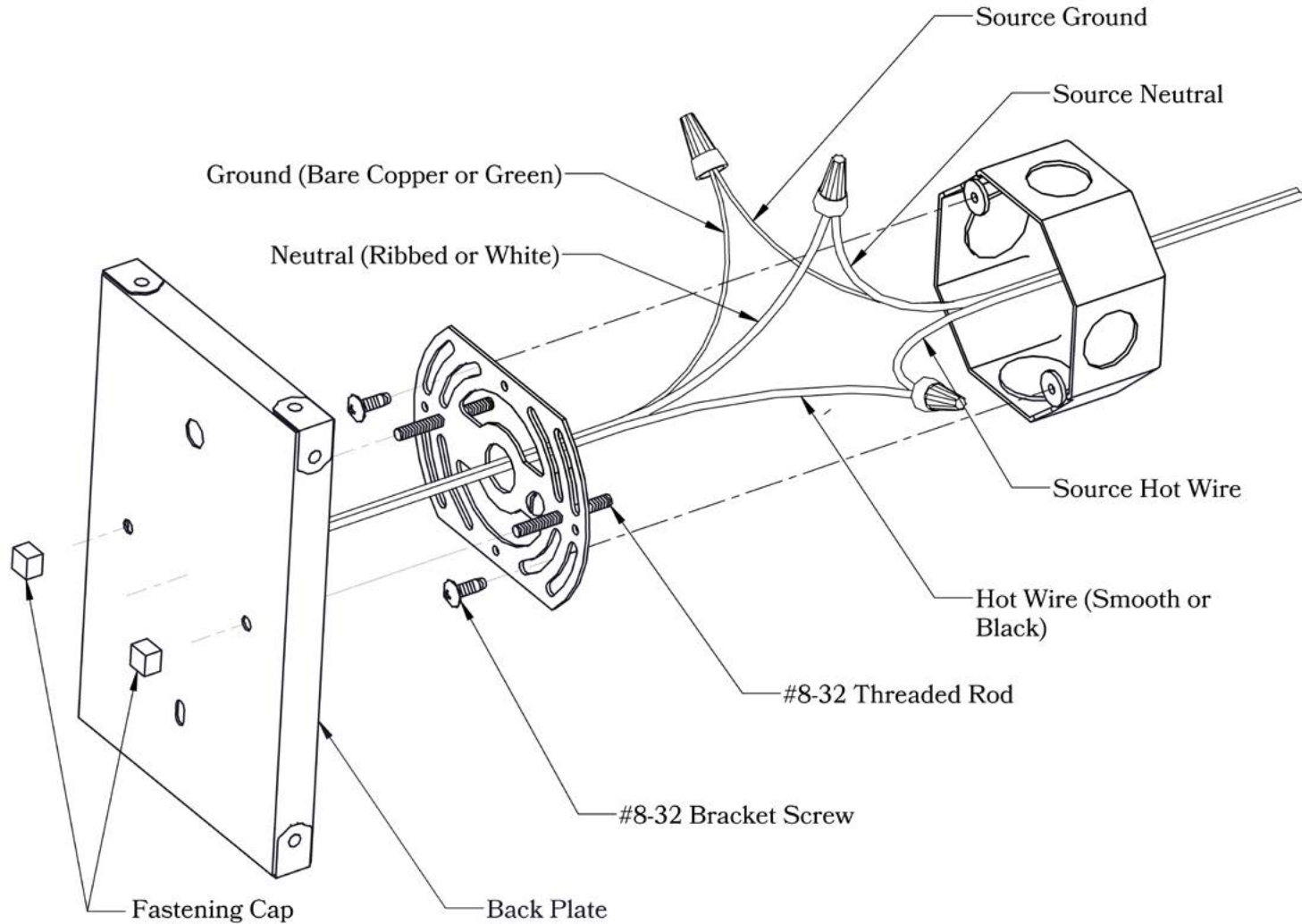


Wisteria



Glass Only

Mounting Instructions | Wall Mount With Caps



CAUTION—DISCONNECT POWER

Always shut off power when installing or repairing this (or any other) electrical appliance. Failure to do so may result in severe injury or death. This product must be installed in accordance with applicable installation codes by a person familiar with the construction and operation of the product, and the hazards involved.