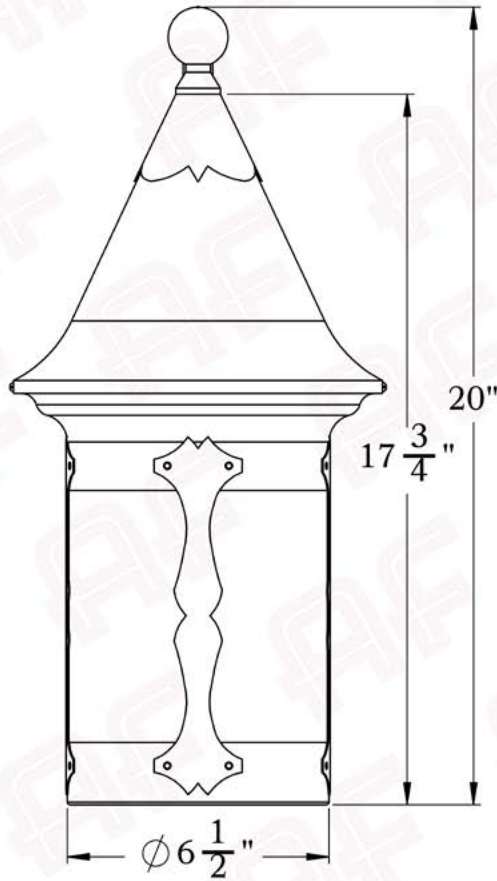




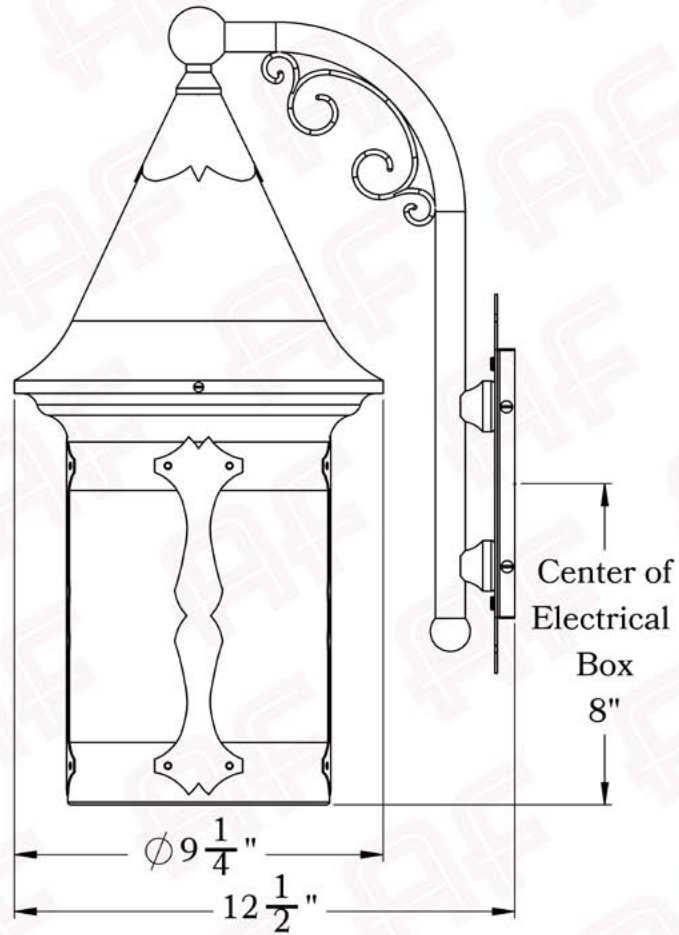
The Castle Hill Series
Curved Arm Sconce
Large

AMERICA'S FINEST 
Lighting & Mailbox Co. 

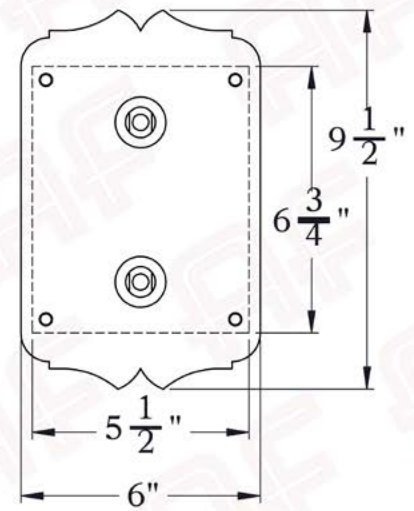
Large



FRONT VIEW



SIDE VIEW



BACKPLATE VIEW

AMERICA'S FINEST
Lighting & Mailbox Co.
975 N. Enterprise St. Orange, CA 92867

PRODUCT No. 1014-1
TITLE Castle Hill
UL RATING Wet

LAMP BASE Medium Base (E26)
MAX WATTAGE 100W
VOLTAGE 120V

PROPRIETARY AND CONFIDENTIAL
The information contained in this drawing is the sole property of America's Finest. Any reproduction in part or as a whole without written permission from America's Finest is prohibited.

Dimensions

Roof Width	9 1/4"
Body Width	6 1/2"
Lantern Height	17 3/4"
Height	20"
Projection	12 1/2"
Mounting Plate	6" x 9 1/2"

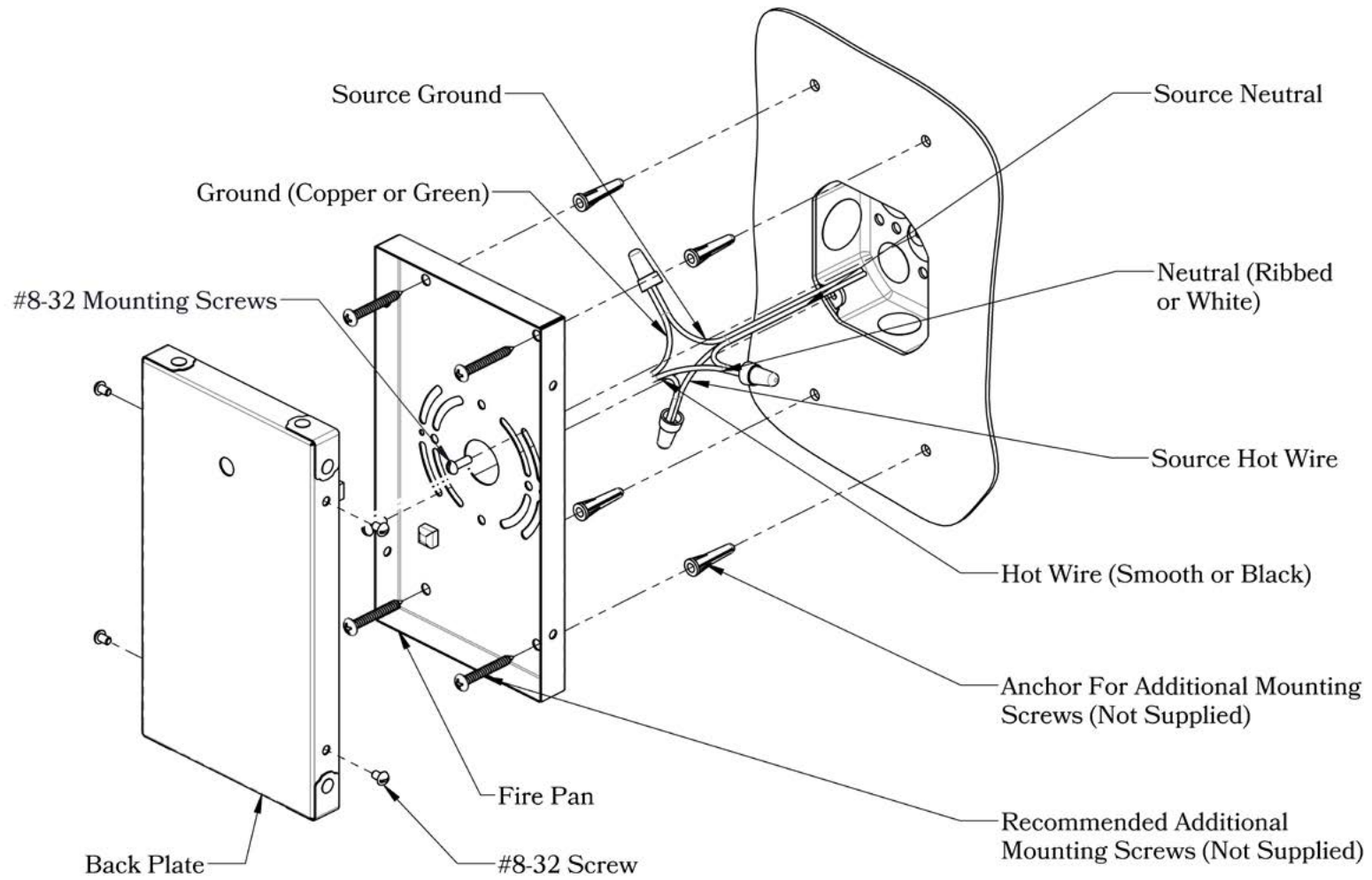
Electrical Specs

UL Rating	Wet
Voltage	120V
Socket Type	Medium Base - E26
Number of Light Bulbs	1
Max Wattage per Bulb	100W
LED Bulb	Supplied
Dimmable	Yes

Additional Information

Manufacturer	America's Finest Lighting
Mounting Location	Interior and Exterior
Material	Brass
Multiple Overlay Options	No
Bottom Glass Panels	No

Mounting Instructions | Wall Mount With Fire Pan



CAUTION—DISCONNECT POWER

Always shut off power when installing or repairing this (or any other) electrical appliance. Failure to do so may result in severe injury or death. This product must be installed in accordance with applicable installation codes by a person familiar with the construction and operation of the product, and the hazards involved.