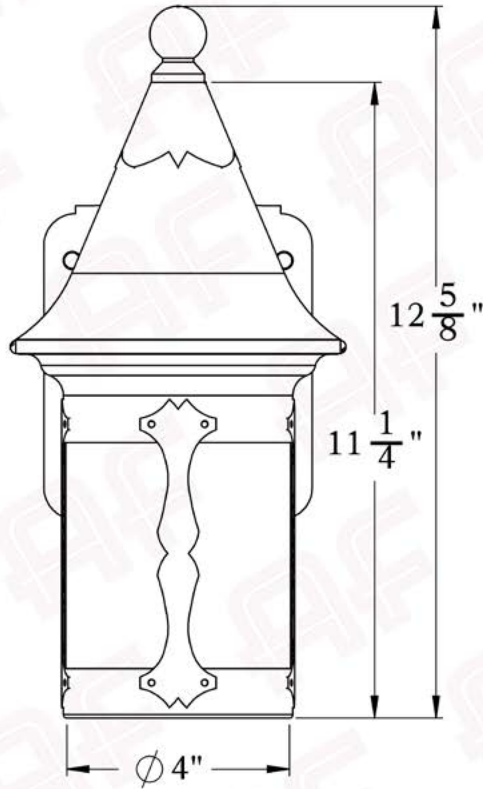




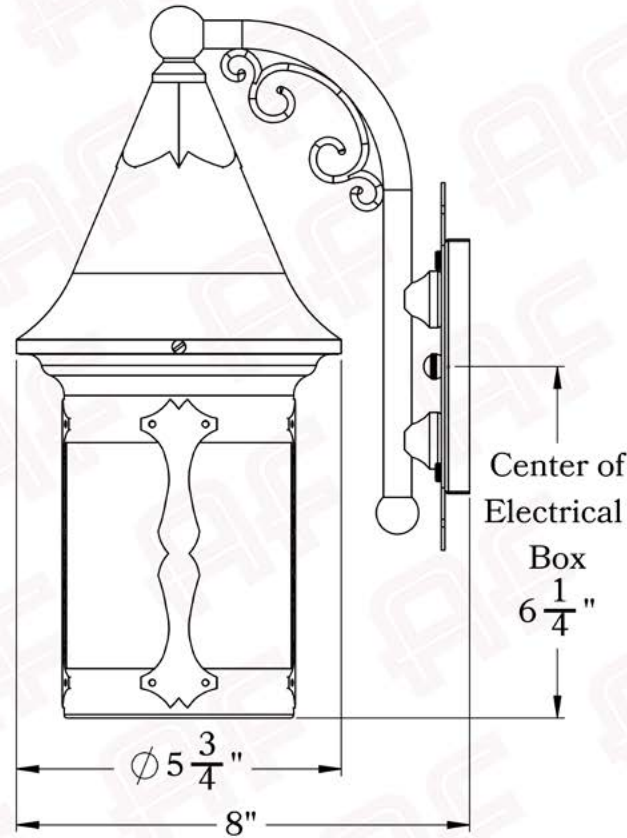
The Castle Hill Series
Curved Arm Sconce
Small

AMERICA'S FINEST 
 *Lighting & Mailbox Co.* 

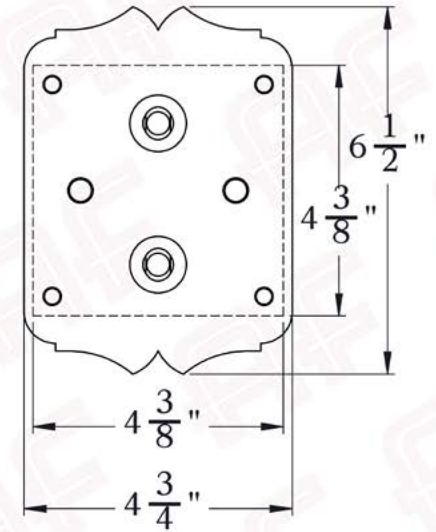
Small



FRONT VIEW



SIDE VIEW



BACKPLATE VIEW

Dimensions

Roof Width	5 3/4"
Body Width	4"
Lantern Height	11 1/4"
Height	12 5/8"
Projection	8"
Mounting Plate	4 3/4" x 6 1/2"

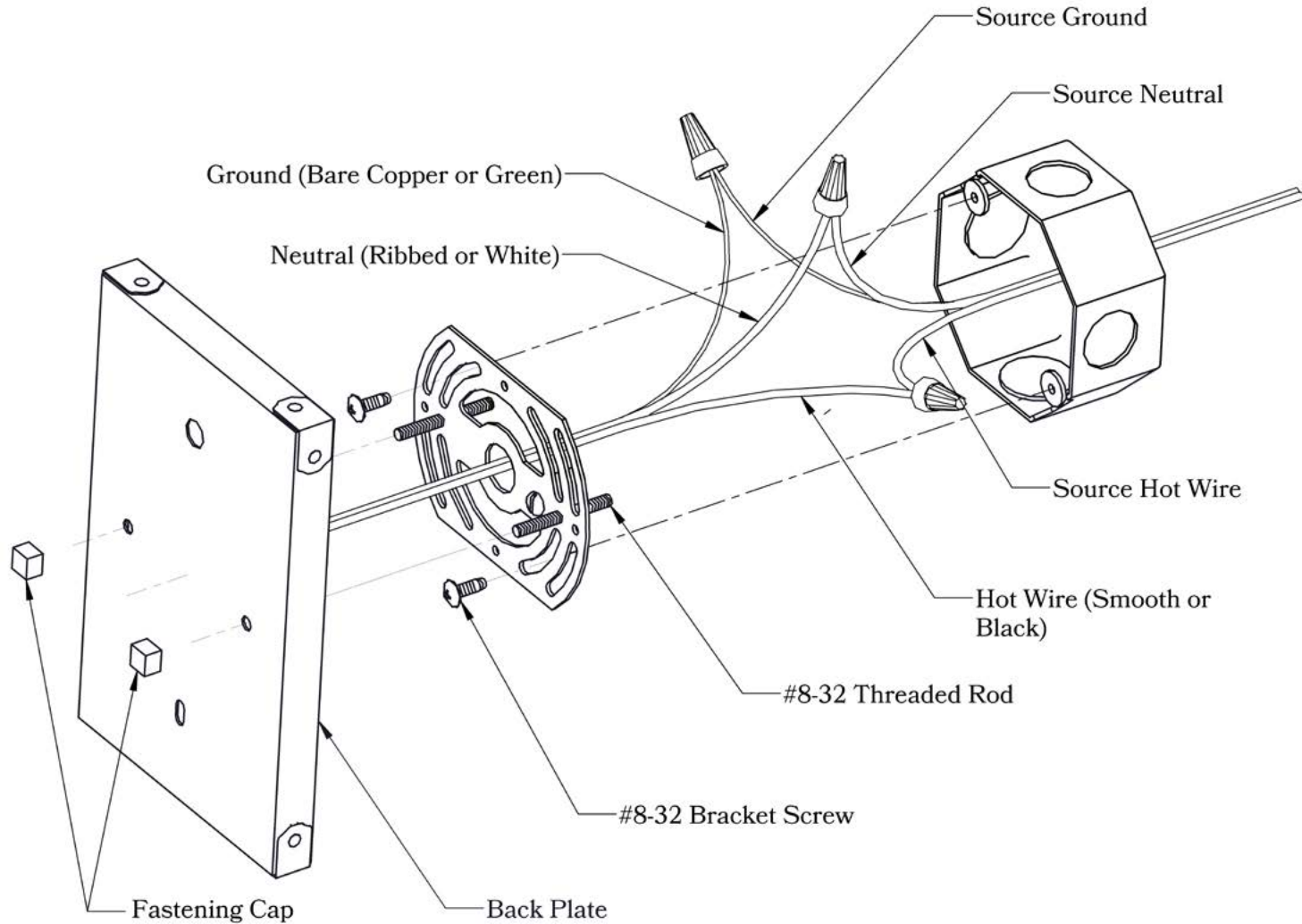
Electrical Specs

UL Rating	Wet
Voltage	120V
Socket Type	Medium Base - E26
Number of Light Bulbs	1
Max Wattage per Bulb	60W
LED Bulb	Supplied
Dimmable	Yes

Additional Information

Manufacturer	America's Finest Lighting
Mounting Location	Interior and Exterior
Material	Brass
Multiple Overlay Options	No
Bottom Glass Panels	No

Mounting Instructions | Wall Mount With Caps



CAUTION—DISCONNECT POWER

Always shut off power when installing or repairing this (or any other) electrical appliance. Failure to do so may result in severe injury or death. This product must be installed in accordance with applicable installation codes by a person familiar with the construction and operation of the product, and the hazards involved.