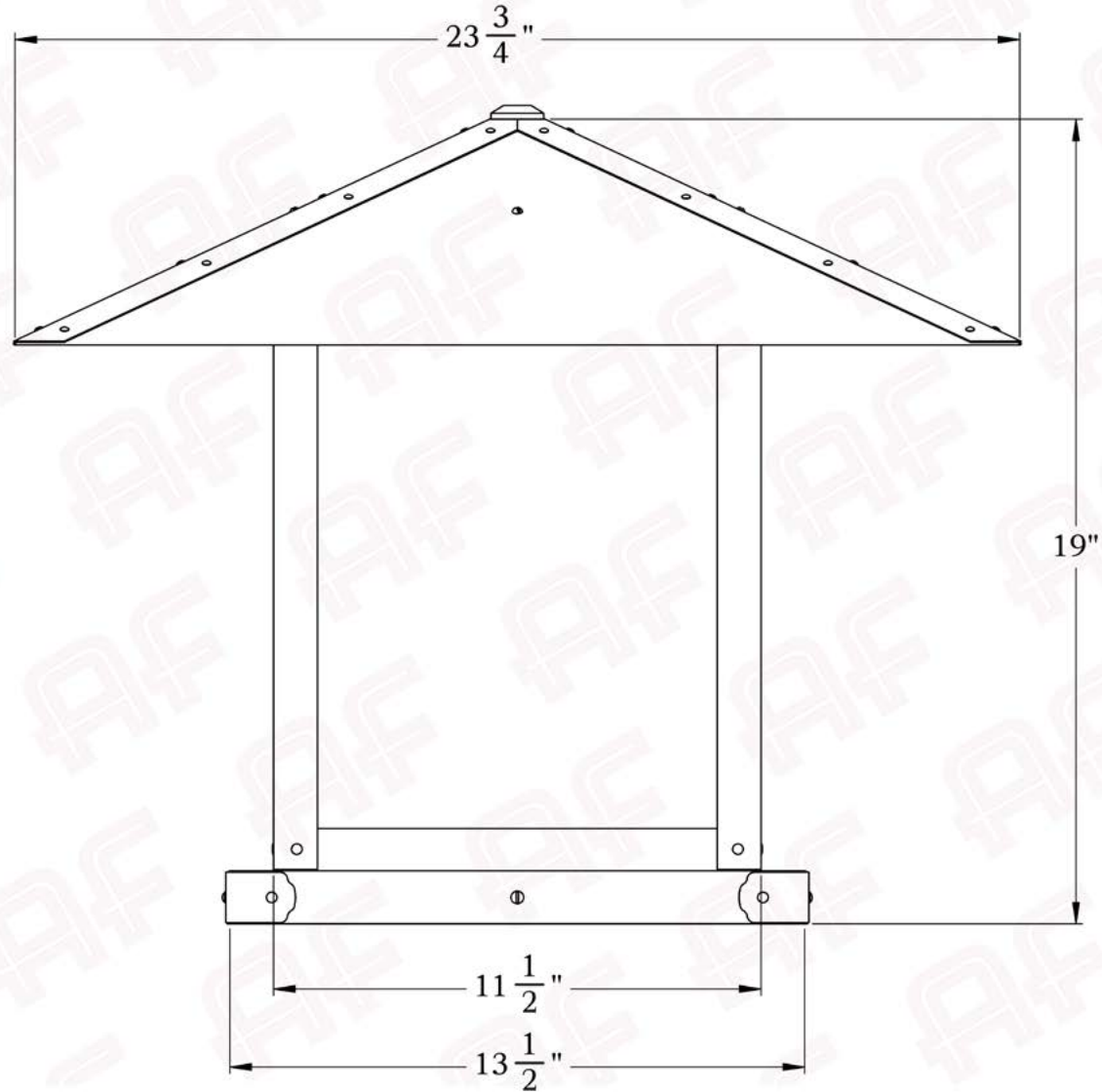




The Brookdale Series
Column Mount Lantern
3XL

AMERICA'S FINEST 
Lighting & Mailbox Co. 

3X Large



AMERICA'S FINEST
Lighting & Mailbox Co.
975 N. Enterprise St. Orange, CA 92867

PRODUCT No. | 497-6
TITLE | Brookdale
UL RATING | Wet

LAMP BASE | Medium Base (E26)
MAX WATTAGE | 100W
VOLTAGE | 12V or 120V

PROPRIETARY AND CONFIDENTIAL
The information contained in this drawing is the sole property of America's Finest. Any reproduction in part or as a whole without written permission from America's Finest is prohibited.

Dimensions

Roof Width	23 3/4"
Body Width	11 1/2"
Height	19"
Mounting Plate	13 1/2"

Electrical Specs

UL Rating	Wet
Voltage	12V or 120V
Socket Type	Medium Base - E26
Number of Light Bulbs	1
Max Wattage per Bulb	100W
LED Bulb	Supplied

Additional Information

Manufacturer	America's Finest Lighting
Mounting Location	Exterior Only
Material	Brass
Multiple Overlay Options	Yes

Overlays Available In This Series



Arch



Gamble



Double T



Ginkgo



Oak & Acorn



Shoji



Glass Only

Mounting Instructions | Column Light Version One



CAUTION—DISCONNECT POWER

Always shut off power when installing or repairing this (or any other) electrical appliance. Failure to do so may result in severe injury or death. This product must be installed in accordance with applicable installation codes by a person familiar with the construction and operation of the product, and the hazards involved.