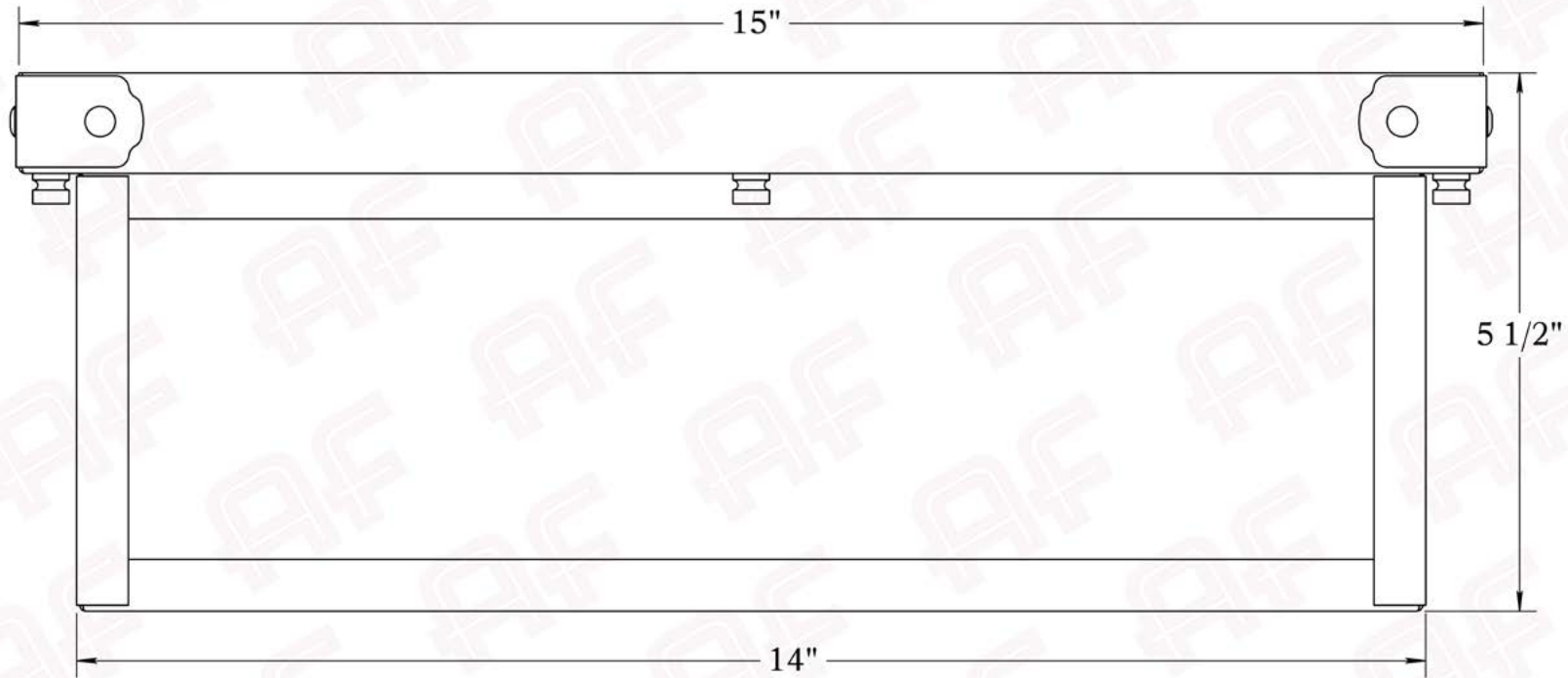




The Brookdale Series
Ceiling Light
Extra Large

AMERICA'S FINEST 
Lighting & Mailbox Co. 

X Large



AMERICA'S FINEST
Lighting & Mailbox Co.
975 N. Enterprise St. Orange, CA 92867

PRODUCT No. | 495-5
TITLE | Brookdale
UL RATING | Damp

LAMP BASE | Medium Base (E26)
MAX WATTAGE | 2-75W
VOLTAGE | 120V

PROPRIETARY AND CONFIDENTIAL
The information contained in this drawing is the sole property of America's Finest. Any reproduction in part or as a whole without written permission from America's Finest is prohibited.

Dimensions

Height	5 1/2"
Width	15"
Body Width	14"
Mounting Plate	15"

Electrical Specs

UL Rating	Damp
Voltage	120V
Socket Type	Medium Base - E26
Number of Light Bulbs	2
Max Wattage per Bulb	75W
LED Bulb Supplied	Yes
Dimmable	Yes

Additional Information

Manufacturer	America's Finest Lighting
Mounting Location	Interior and Exterior
Material	Brass
Multiple Overlay Options	Yes
Bottom Glass Panels	Included

Overlays Available In This Series



Arch



Gamble



Double T



Ginkgo



Oak & Acorn

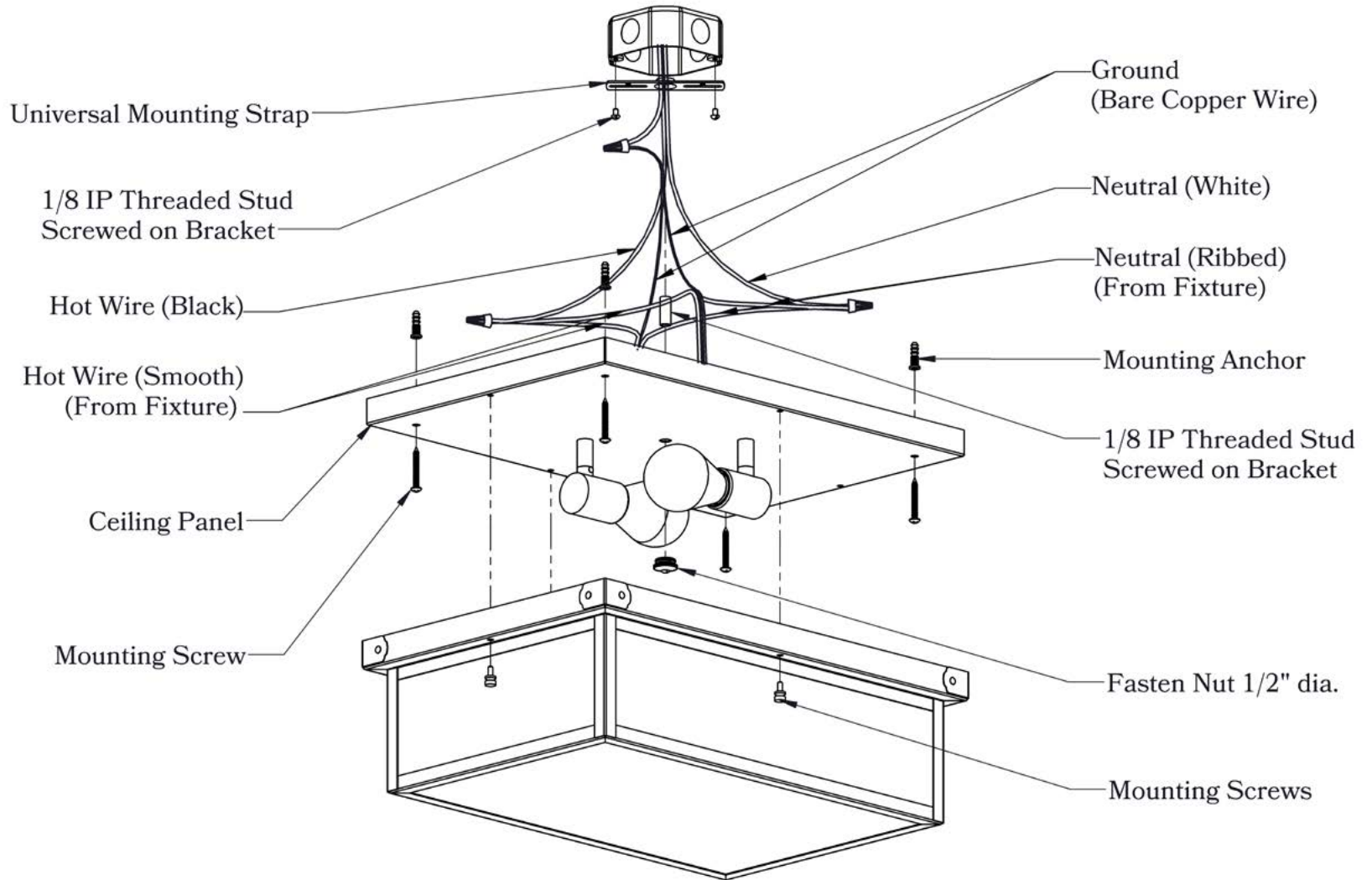


Shoji



Glass Only

Mounting Instructions | Standard Ceiling Mount Version 2



CAUTION—DISCONNECT POWER

Always shut off power when installing or repairing this (or any other) electrical appliance. Failure to do so may result in severe injury or death. This product must be installed in accordance with applicable installation codes by a person familiar with the construction and operation of the product, and the hazards involved.