

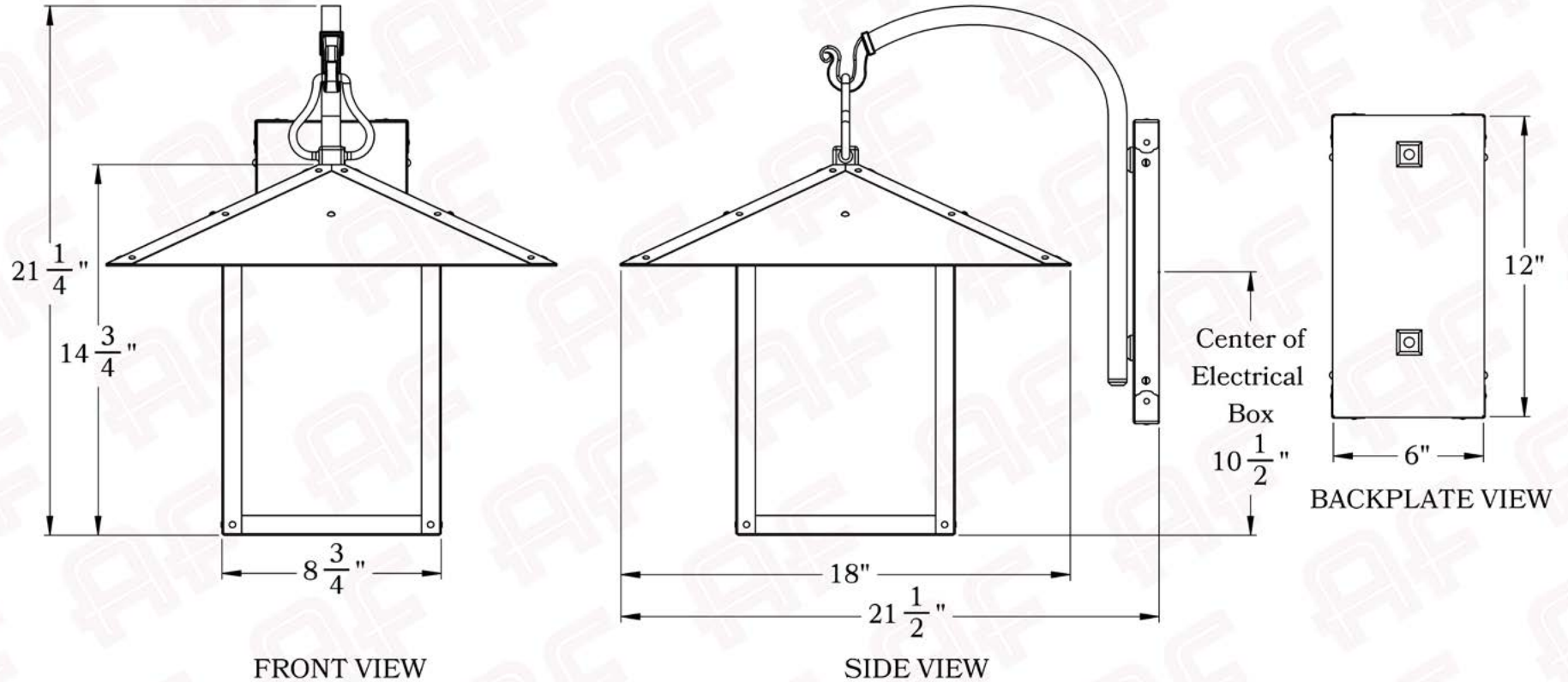
Product No. 495-1



The Brookdale Series
Hook Arm Sconce
Extra Large

AMERICA'S FINEST 
Lighting & Mailbox Co. 

X Large



Dimensions

Roof Width	18"
Body Width	8 3/4"
Lantern Height	14 3/4"
Height	21 1/4"
Projection	21 1/2"
Mounting Plate	6" x 12"

Electrical Specs

UL Rating	Damp
Voltage	120V
Socket Type	Medium Base - E26
Number of Light Bulbs	1
Max Wattage per Bulb	100W
LED Bulb	Supplied
Dimmable	Yes

Additional Information

Manufacturer	America's Finest Lighting
Mounting Location	Interior and Exterior
Material	Brass
Multiple Overlay Options	Yes
Bottom Glass Panels	Included

Overlays Available In This Series



Arch



Gamble



Double T



Ginkgo



Oak & Acorn

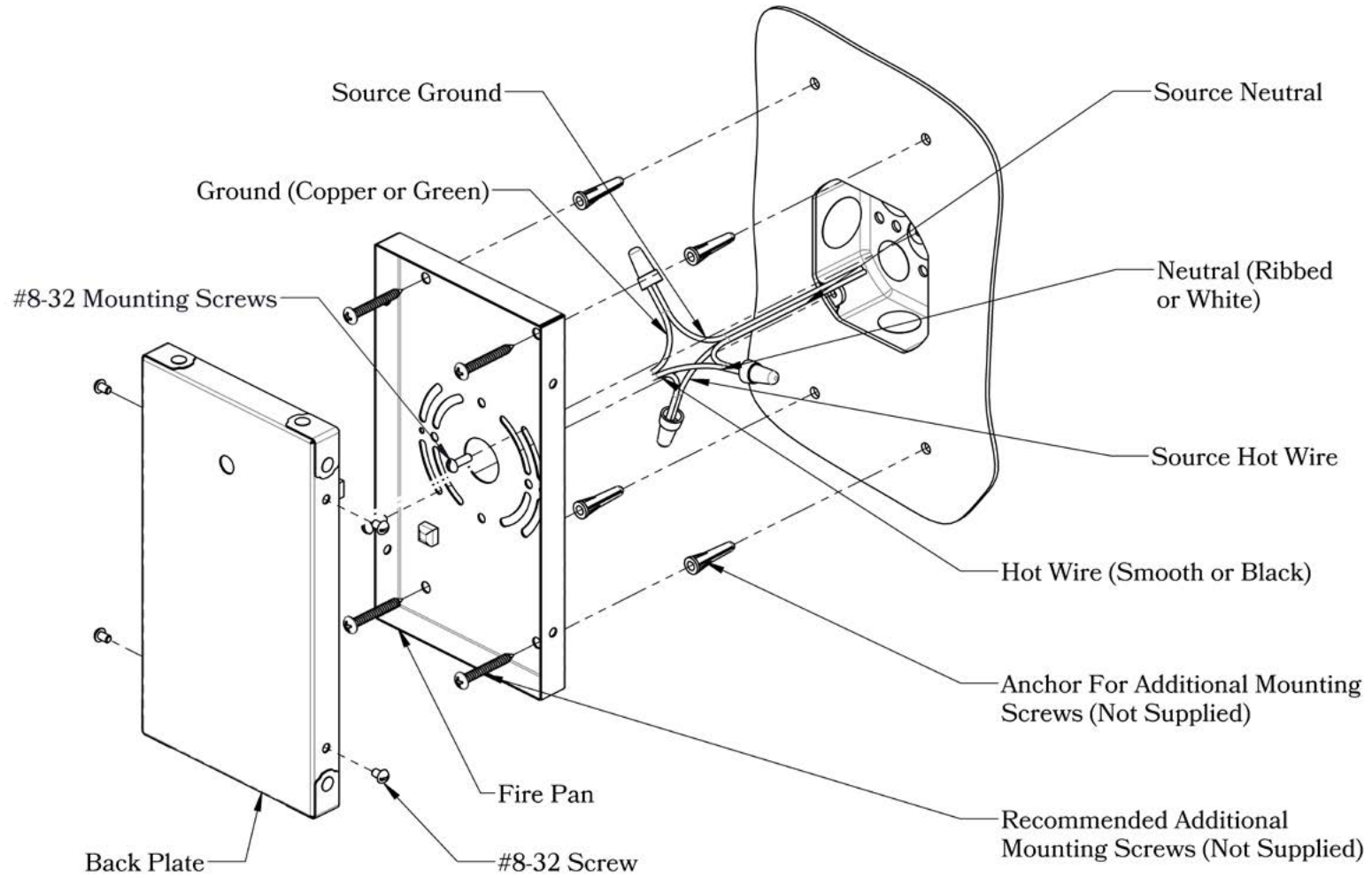


Shoji



Glass Only

Mounting Instructions | Wall Mount With Fire Pan



CAUTION—DISCONNECT POWER

Always shut off power when installing or repairing this (or any other) electrical appliance. Failure to do so may result in severe injury or death. This product must be installed in accordance with applicable installation codes by a person familiar with the construction and operation of the product, and the hazards involved.