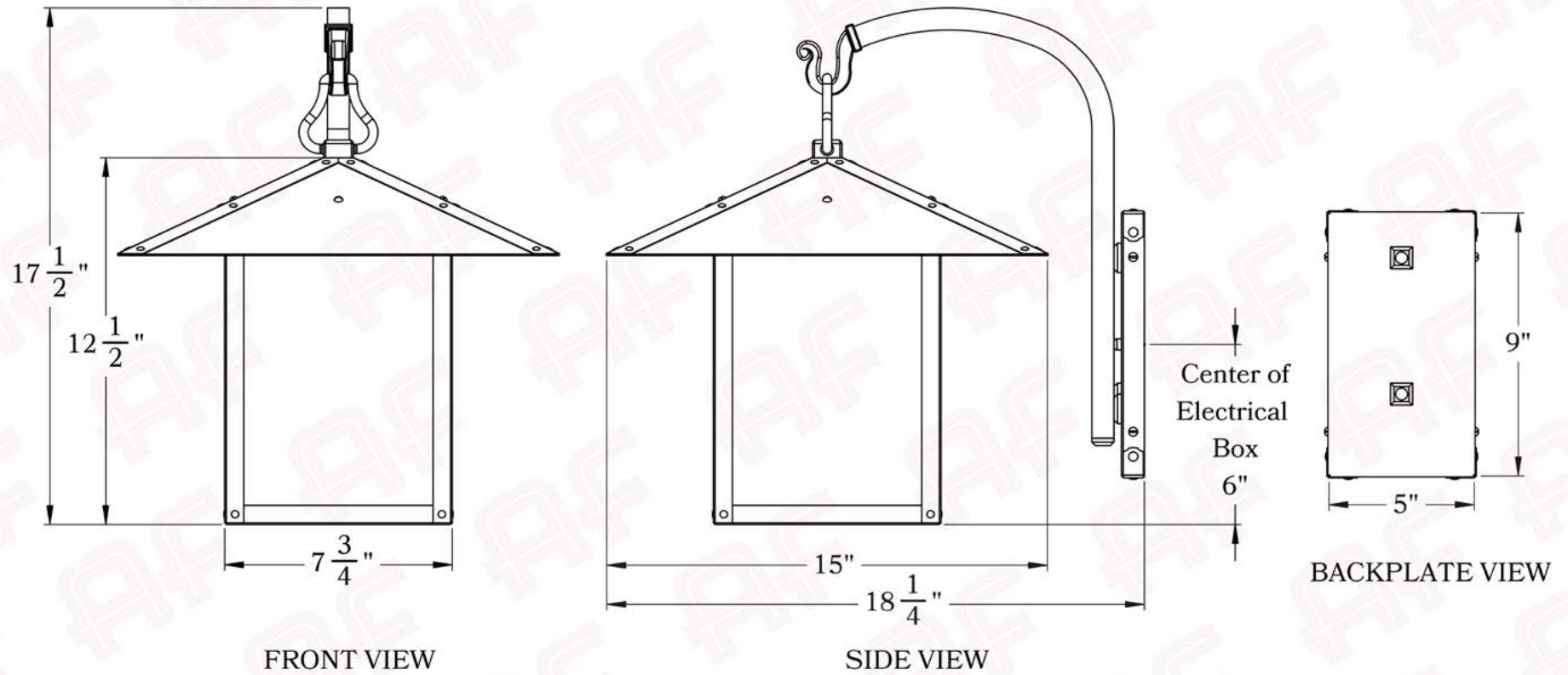




**The Brookdale Series**  
*Hook Arm Sconce*  
Large

**AMERICA'S FINEST**   
 *Lighting & Mailbox Co.* 

# Large



## Dimensions

Roof Width	15"
Body Width	7 3/4"
Lantern Height	12 1/2"
Height	17 1/2"
Projection	18 1/4"
Mounting Plate	5" x 9"

## Electrical Specs

UL Rating	Damp
Voltage	120V
Socket Type	Medium Base - E26
Number of Light Bulbs	1
Max Wattage per Bulb	100W
LED Bulb	Supplied
Dimmable	Yes

## Additional Information

Manufacturer	America's Finest Lighting
Mounting Location	Interior and Exterior
Material	Brass
Multiple Overlay Options	Yes
Bottom Glass Panels	Included

## Overlays Available In This Series



Arch



Gamble



Double T



Ginkgo



Oak & Acorn

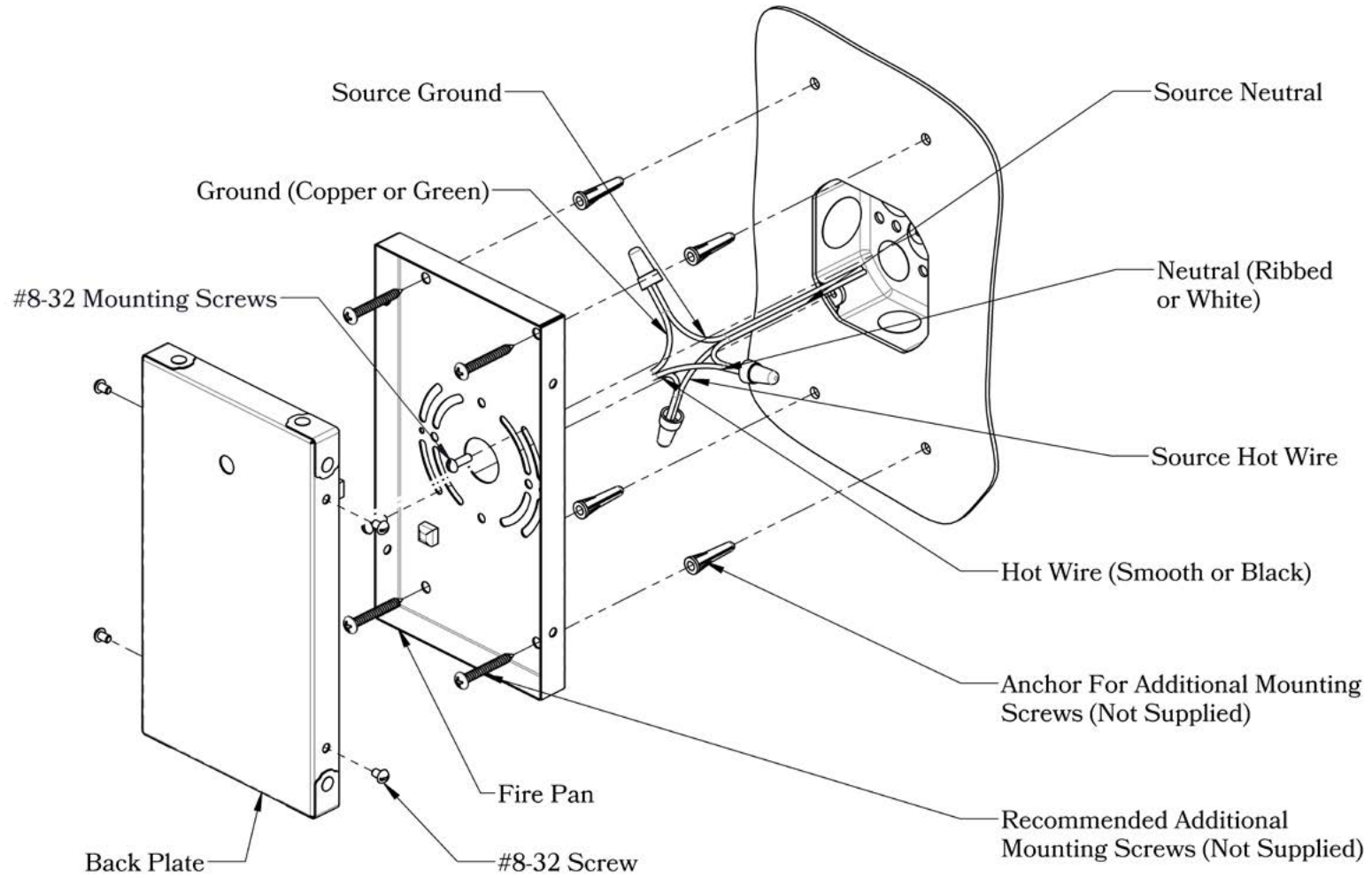


Shoji



Glass Only

**Mounting Instructions** | Wall Mount With Fire Pan



**CAUTION—DISCONNECT POWER**

Always shut off power when installing or repairing this (or any other) electrical appliance. Failure to do so may result in severe injury or death. This product must be installed in accordance with applicable installation codes by a person familiar with the construction and operation of the product, and the hazards involved.