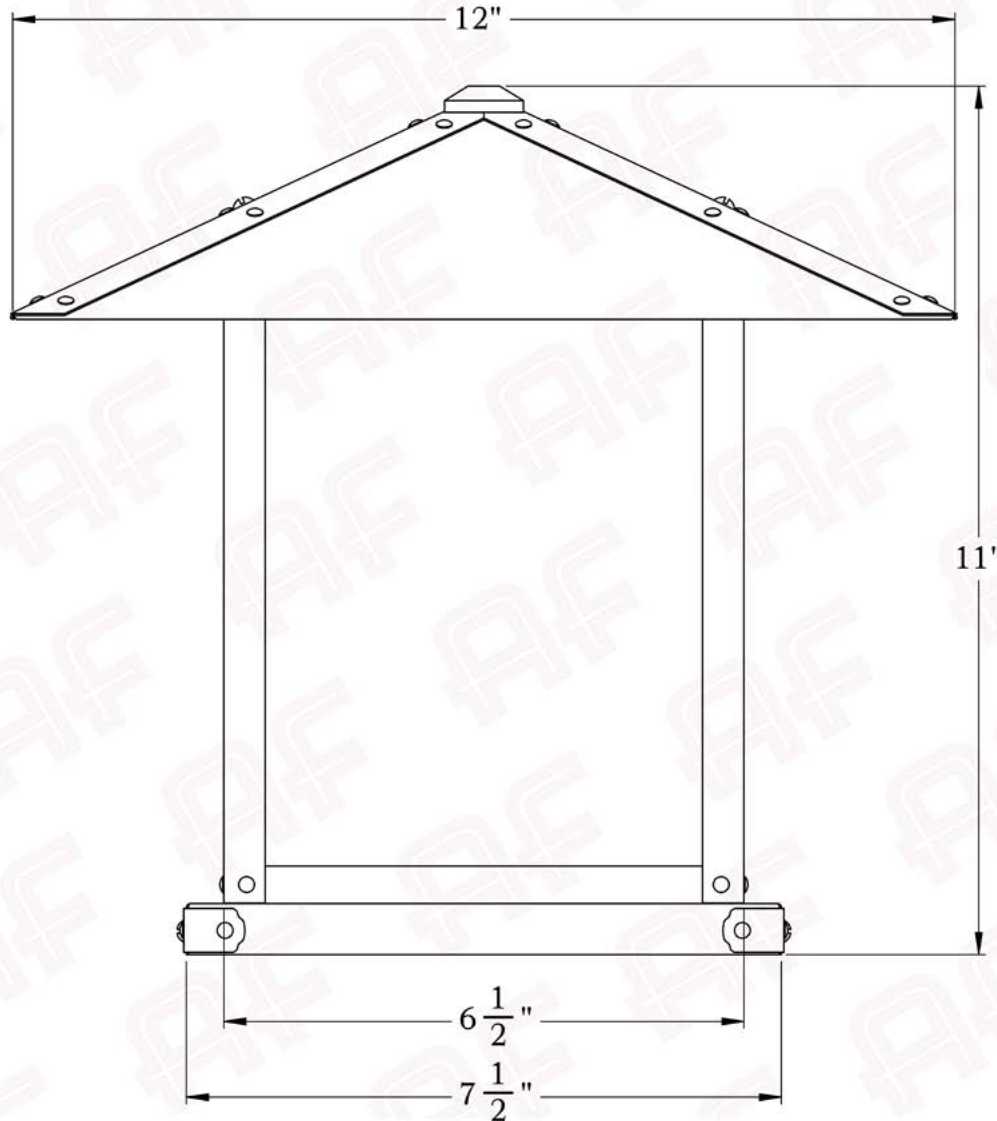




**The Brookdale Series**  
*Column Mount Lantern*  
**Medium**

**AMERICA'S FINEST**   
*Lighting & Mailbox Co.* 

# Medium



**AMERICA'S FINEST**  
*Lighting & Mailbox Co.*  
975 N. Enterprise St. Orange, CA 92867

PRODUCT No. | 493-6  
TITLE | Brookdale  
UL RATING | Wet

LAMP BASE | Medium Base (E26)  
MAX WATTAGE | 100W  
VOLTAGE | 12V or 120V

**PROPRIETARY AND CONFIDENTIAL**  
The information contained in this drawing is the sole property of America's Finest. Any reproduction in part or as a whole without written permission from America's Finest is prohibited.

## Dimensions

Roof Width	12"
Body Width	6 1/2"
Height	11"
Mounting Plate	7 1/2"

## Electrical Specs

UL Rating	Wet
Voltage	12V or 120V
Socket Type	Medium Base - E26
Number of Light Bulbs	1
Max Wattage per Bulb	60W
LED Bulb	Supplied

## Additional Information

Manufacturer	America's Finest Lighting
Mounting Location	Exterior Only
Material	Brass
Multiple Overlay Options	Yes

## Overlays Available In This Series



Arch



Gamble



Double T



Ginkgo



Oak & Acorn



Shoji



Glass Only

Mounting Instructions | Column Light Version One



When mounting in wet location, apply a bead of silicone around the perimeter of the fixture base to seal the electrical connections against water.

**CAUTION—DISCONNECT POWER**

Always shut off power when installing or repairing this (or any other) electrical appliance. Failure to do so may result in severe injury or death. This product must be installed in accordance with applicable installation codes by a person familiar with the construction and operation of the product, and the hazards involved.