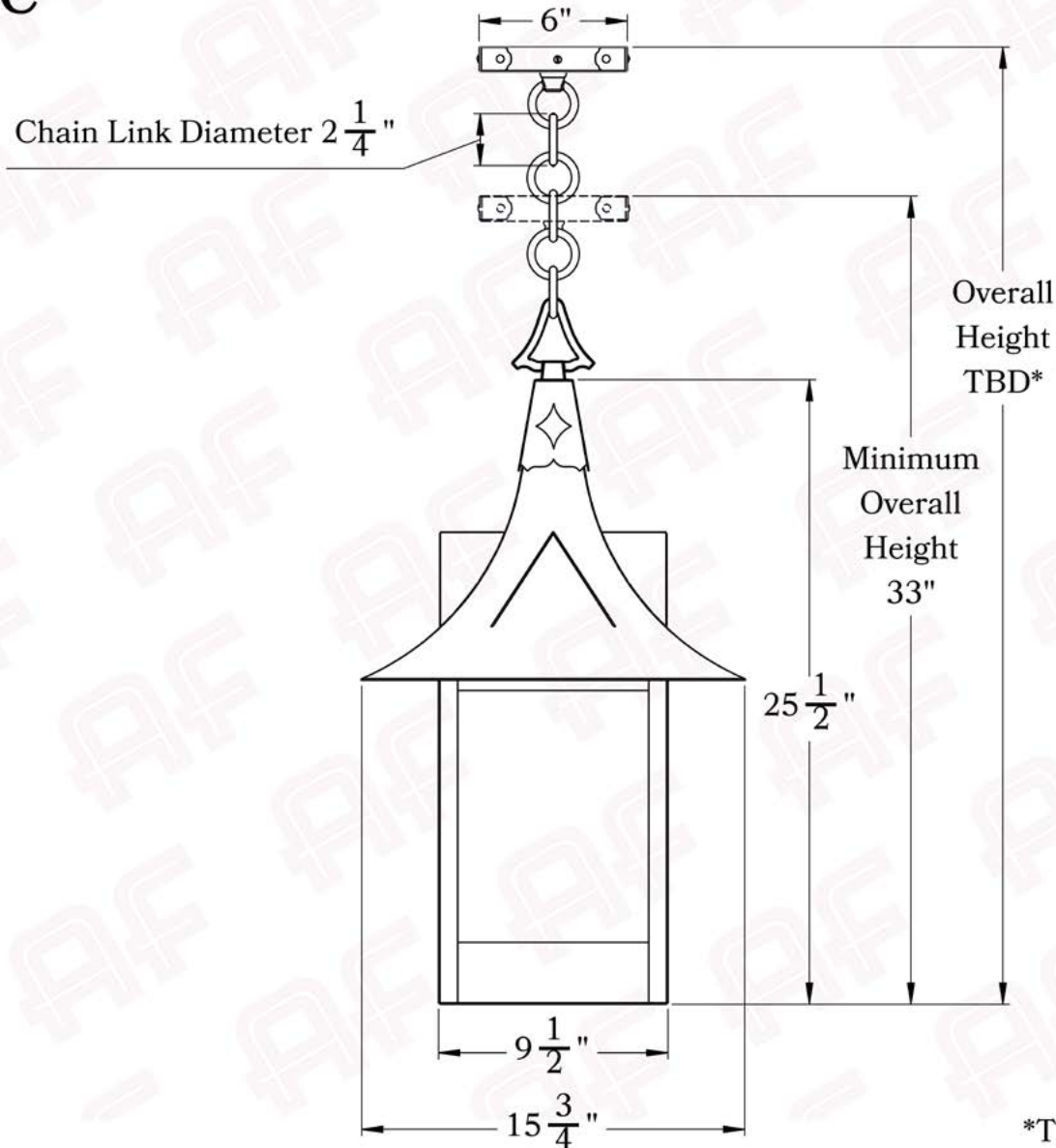




**The Bridgeview Series**  
*Chain Pendant Lantern*  
Extra Large

**AMERICA'S FINEST**   
*Lighting & Mailbox Co.*

# X Large



\*TBD: To Be Determined

## Dimensions

|                |         |
|----------------|---------|
| Roof Width     | 15 3/4" |
| Body Width     | 9 1/2"  |
| Lantern Height | 25 1/2" |
| Minimum Height | 32 1/4" |
| Canopy         | 6"      |

## Electrical Specs

|                       |                   |
|-----------------------|-------------------|
| UL Rating             | Damp              |
| Voltage               | 120V              |
| Socket Type           | Medium Base - E26 |
| Number of Light Bulbs | 1                 |
| Max Wattage per Bulb  | 60W               |
| LED Bulb              | Supplied          |
| Dimmable              | Yes               |

## Additional Information

|                          |                           |
|--------------------------|---------------------------|
| Manufacturer             | America's Finest Lighting |
| Mounting Location        | Interior and Exterior     |
| Material                 | Brass                     |
| Multiple Overlay Options | Yes                       |
| Bottom Glass Panels      | Included                  |

## Overlays Available In This Series



Cathedral



Gothic



Cross

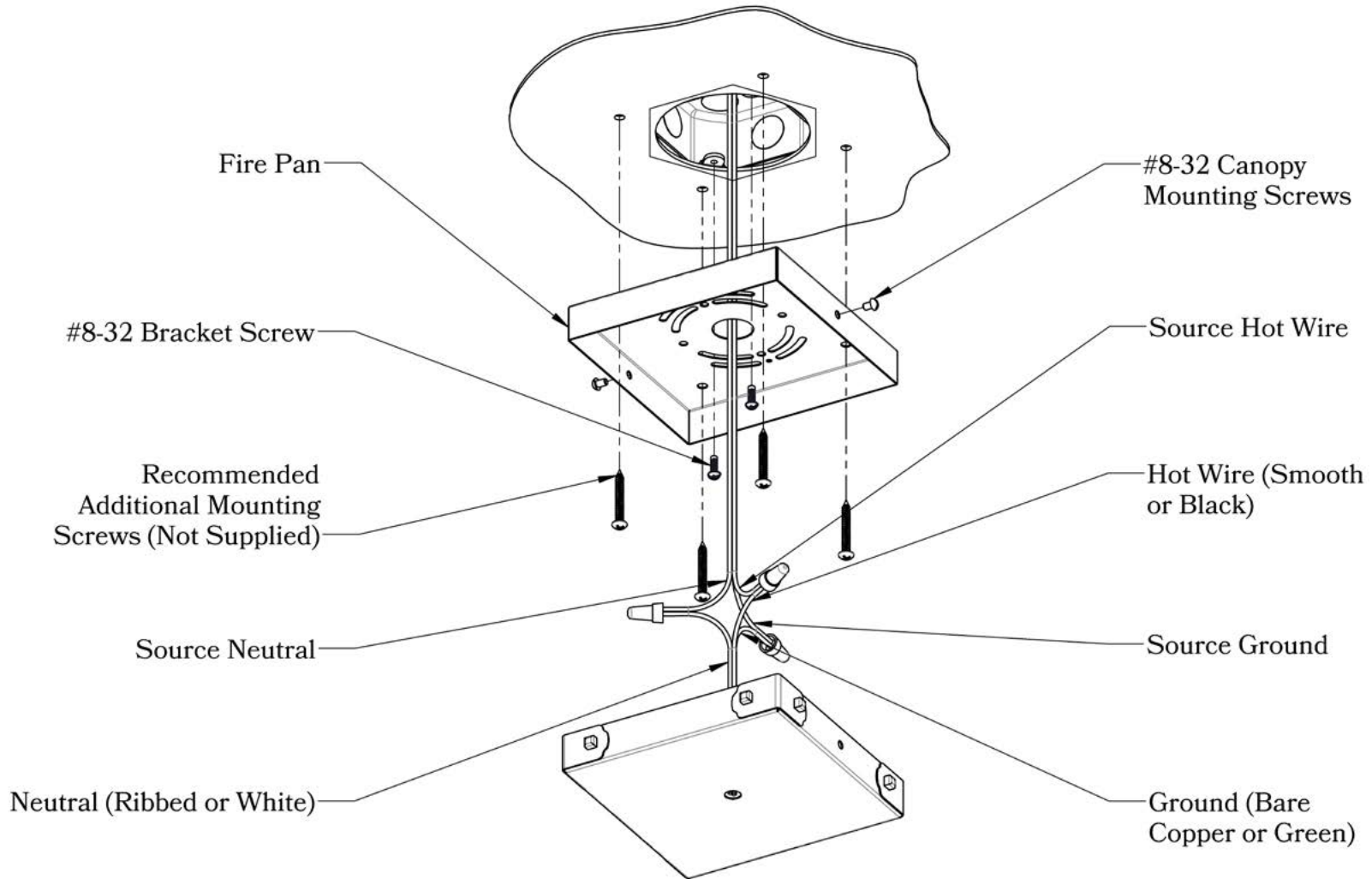


Vaulted



Glass Only

**Mounting Instructions** | Chain Mount With Fire Pan



**CAUTION—DISCONNECT POWER**

Always shut off power when installing or repairing this (or any other) electrical appliance. Failure to do so may result in severe injury or death. This product must be installed in accordance with applicable installation codes by a person familiar with the construction and operation of the product, and the hazards involved.