

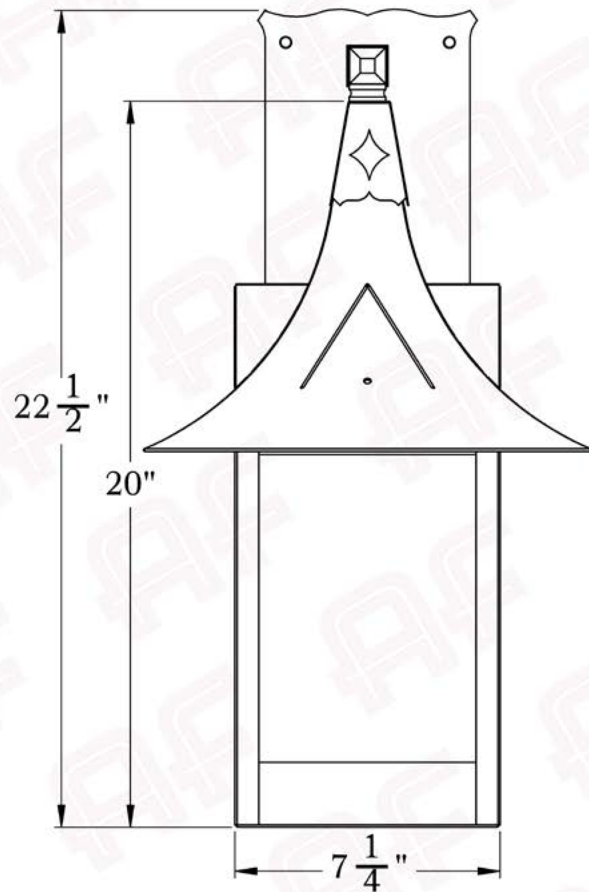


**The Bridgeview Series**  
*Straight Arm Sconce*

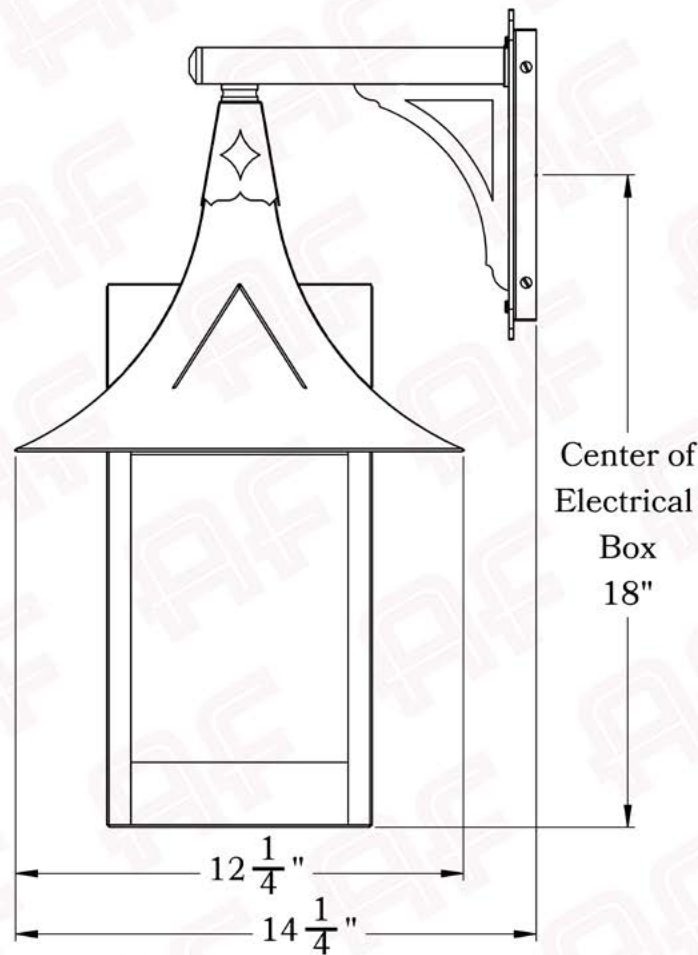
**Large**

**AMERICA'S FINEST**   
*Lighting & Mailbox Co.*

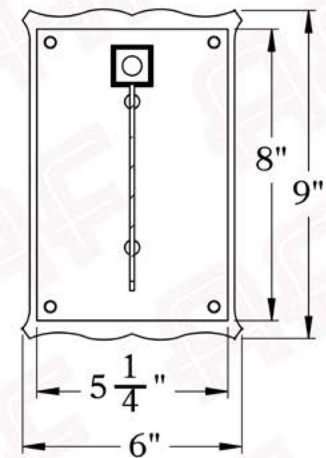
# Large



FRONT VIEW



SIDE VIEW



BACKPLATE VIEW

## Dimensions

Roof Width	12 1/4"
Body Width	7 1/4"
Lantern Height	20"
Height	22 1/2"
Projection	14 1/4"
Mounting Plate	6" x 9"

## Electrical Specs

UL Rating	Wet
Voltage	120V
Socket Type	Medium Base - E26
Number of Light Bulbs	1
Max Wattage per Bulb	60W
LED Bulb	Supplied
Dimmable	Yes

## Additional Information

Manufacturer	America's Finest Lighting
Mounting Location	Interior and Exterior
Material	Brass
Multiple Overlay Options	Yes
Bottom Glass Panels	Included

## Overlays Available In This Series



Cathedral



Gothic



Cross

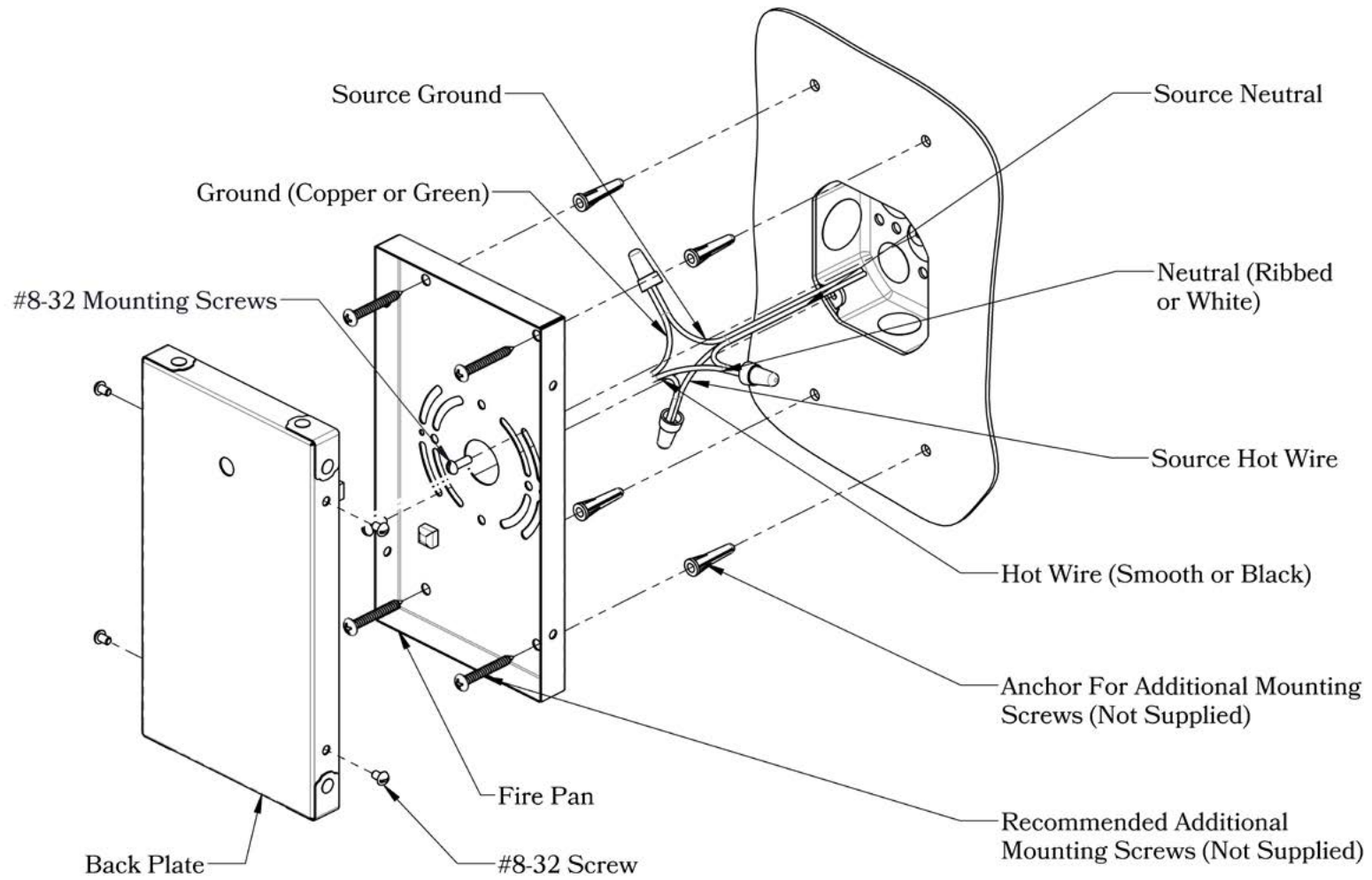


Vaulted



Glass Only

**Mounting Instructions** | Wall Mount With Fire Pan



**CAUTION—DISCONNECT POWER**

Always shut off power when installing or repairing this (or any other) electrical appliance. Failure to do so may result in severe injury or death. This product must be installed in accordance with applicable installation codes by a person familiar with the construction and operation of the product, and the hazards involved.