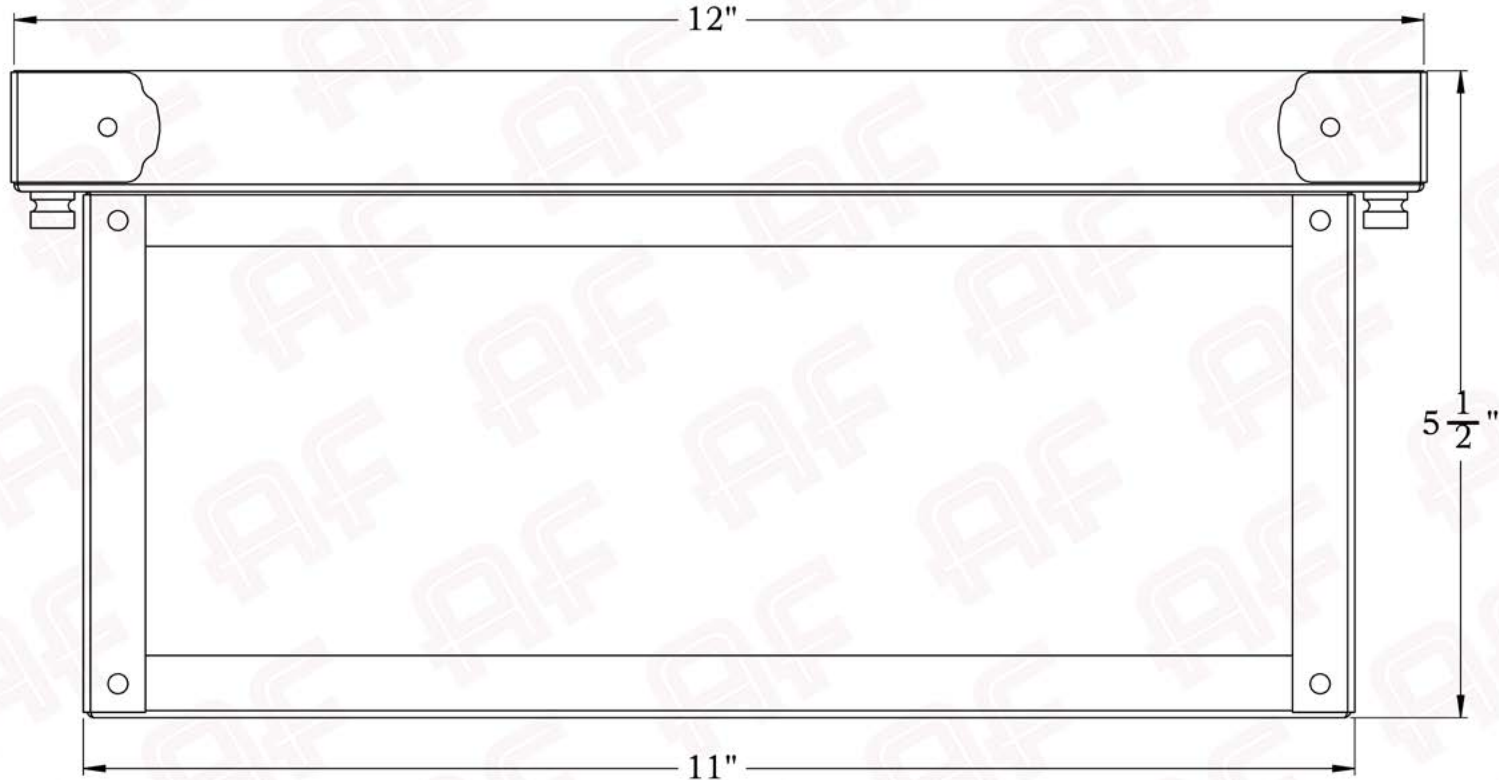




**The Bridgeview Series**  
*Ceiling Light*  
Large

**AMERICA'S FINEST**   
*Lighting & Mailbox Co.* 

# Large



**AMERICA'S FINEST**  
*Lighting & Mailbox Co.*  
975 N. Enterprise St. Orange, CA 92867

PRODUCT No. | 1044-5  
TITLE | Bridgeview  
UL RATING | Damp

LAMP BASE | Medium Base (E26)  
MAX WATTAGE | 2-60W  
VOLTAGE | 120V

**PROPRIETARY AND CONFIDENTIAL**  
The information contained in this drawing is the sole property of America's Finest. Any reproduction in part or as a whole without written permission from America's Finest is prohibited.

## Dimensions

Height	5 1/2"
Width	12"
Body Width	11"
Mounting Plate	12"

## Electrical Specs

UL Rating	Damp
Voltage	120V
Socket Type	Medium Base - E26
Number of Light Bulbs	2
Max Wattage per Bulb	60W
LED Bulb	Supplied
Dimmable	Yes

## Additional Information

Manufacturer	America's Finest Lighting
Mounting Location	Interior and Exterior
Material	Brass
Multiple Overlay Options	Yes
Bottom Glass Panels	Included

## Overlays Available In This Series



Cathedral



Gothic



Cross

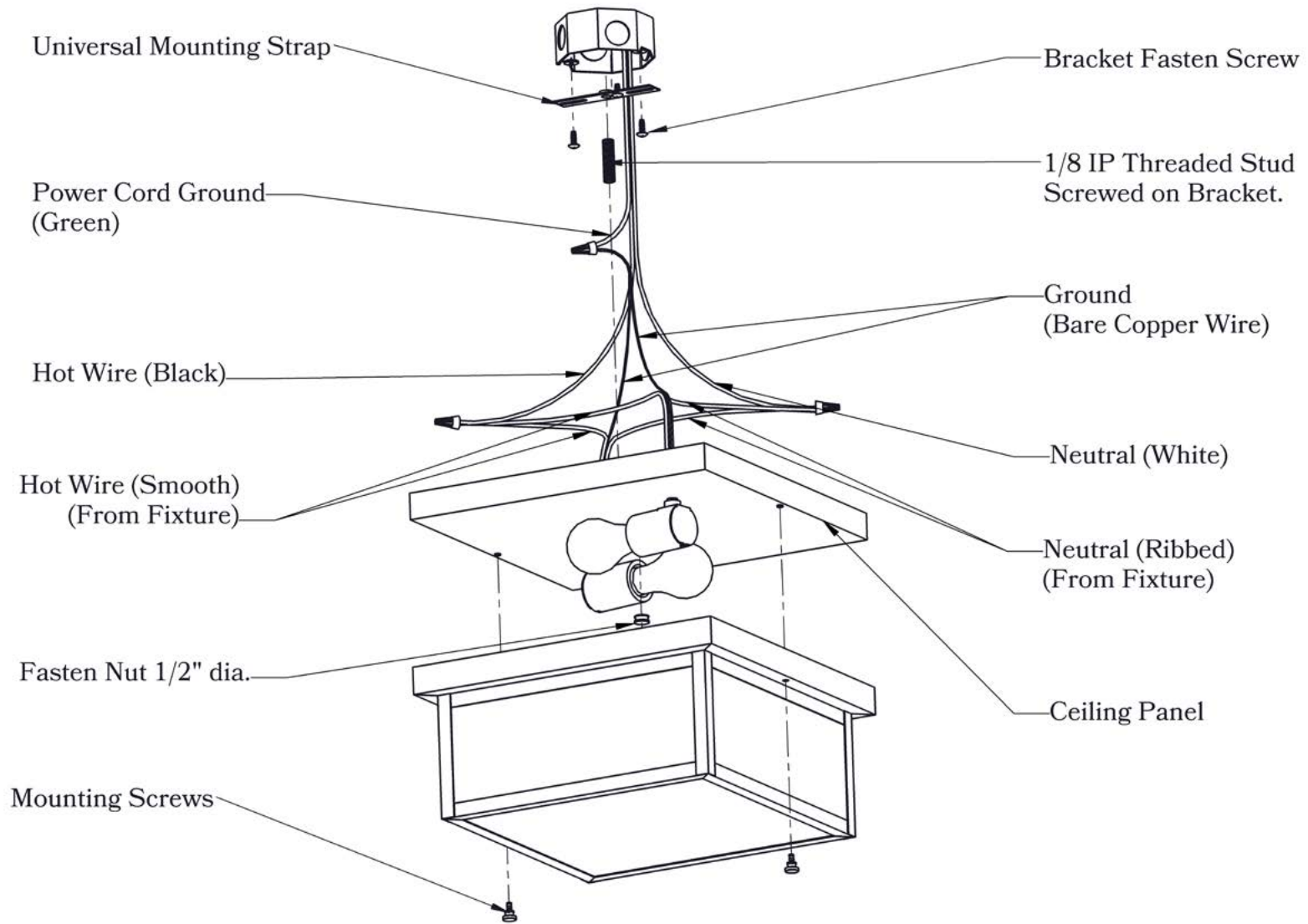


Vaulted



Glass Only

**Mounting Instructions** | Standard Ceiling Mount Version 1



**CAUTION—DISCONNECT POWER**

Always shut off power when installing or repairing this (or any other) electrical appliance. Failure to do so may result in severe injury or death. This product must be installed in accordance with applicable installation codes by a person familiar with the construction and operation of the product, and the hazards involved.