

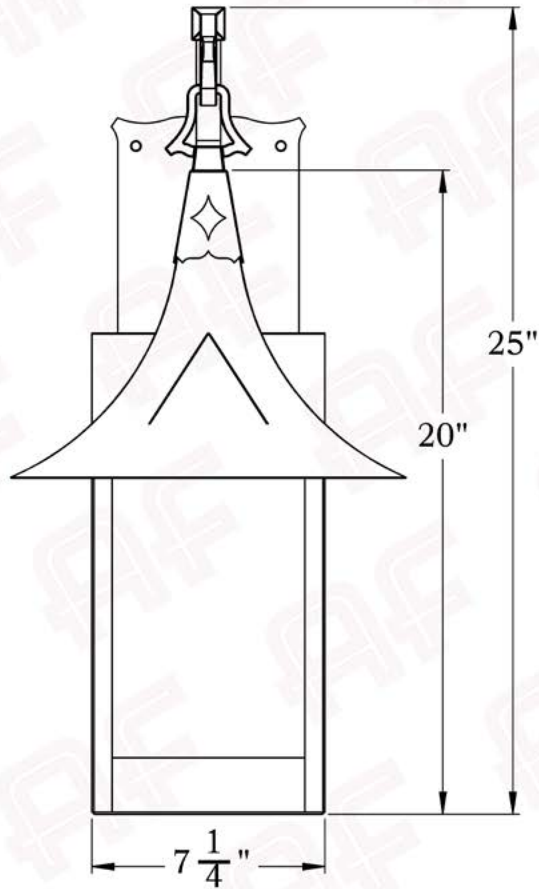


**The Bridgeview Series**  
*Hook Arm Sconce*

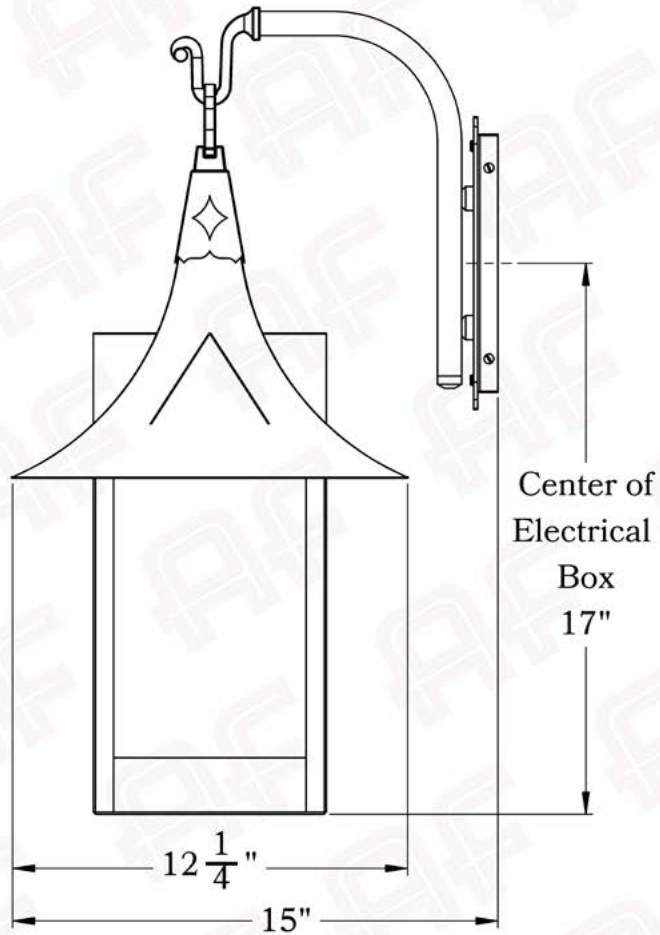
**Large**

**AMERICA'S FINEST**   
*Lighting & Mailbox Co.*

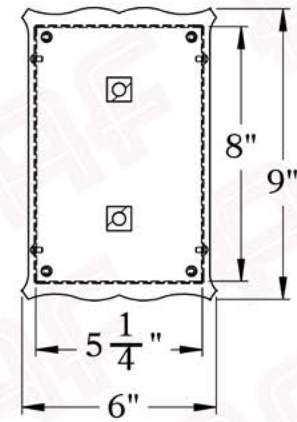
# Large



FRONT VIEW



SIDE VIEW



BACKPLATE VIEW

**AMERICA'S FINEST**  
*Lighting & Mailbox Co.*  
975 N. Enterprise St. Orange, CA 92867

PRODUCT No. | 1044-1  
TITLE | Bridgeview  
UL RATING | Damp

LAMP BASE | Medium Base (E26)  
MAX WATTAGE | 100W  
VOLTAGE | 120V

**PROPRIETARY AND CONFIDENTIAL**  
The information contained in this drawing is the sole property of America's Finest. Any reproduction in part or as a whole without written permission from America's Finest is prohibited.

## Dimensions

Roof Width	12 1/4"
Body Width	7 1/4"
Lantern Height	20"
Height	25"
Projection	15"
Mounting Plate	6" x 9"

## Electrical Specs

UL Rating	Damp
Voltage	120V
Socket Type	Medium Base - E26
Number of Light Bulbs	1
Max Wattage per Bulb	60W
LED Bulb	Supplied
Dimmable	Yes

## Additional Information

Manufacturer	America's Finest Lighting
Mounting Location	Interior and Exterior
Material	Brass
Multiple Overlay Options	Yes
Bottom Glass Panels	Included

## Overlays Available In This Series



Cathedral



Gothic



Cross

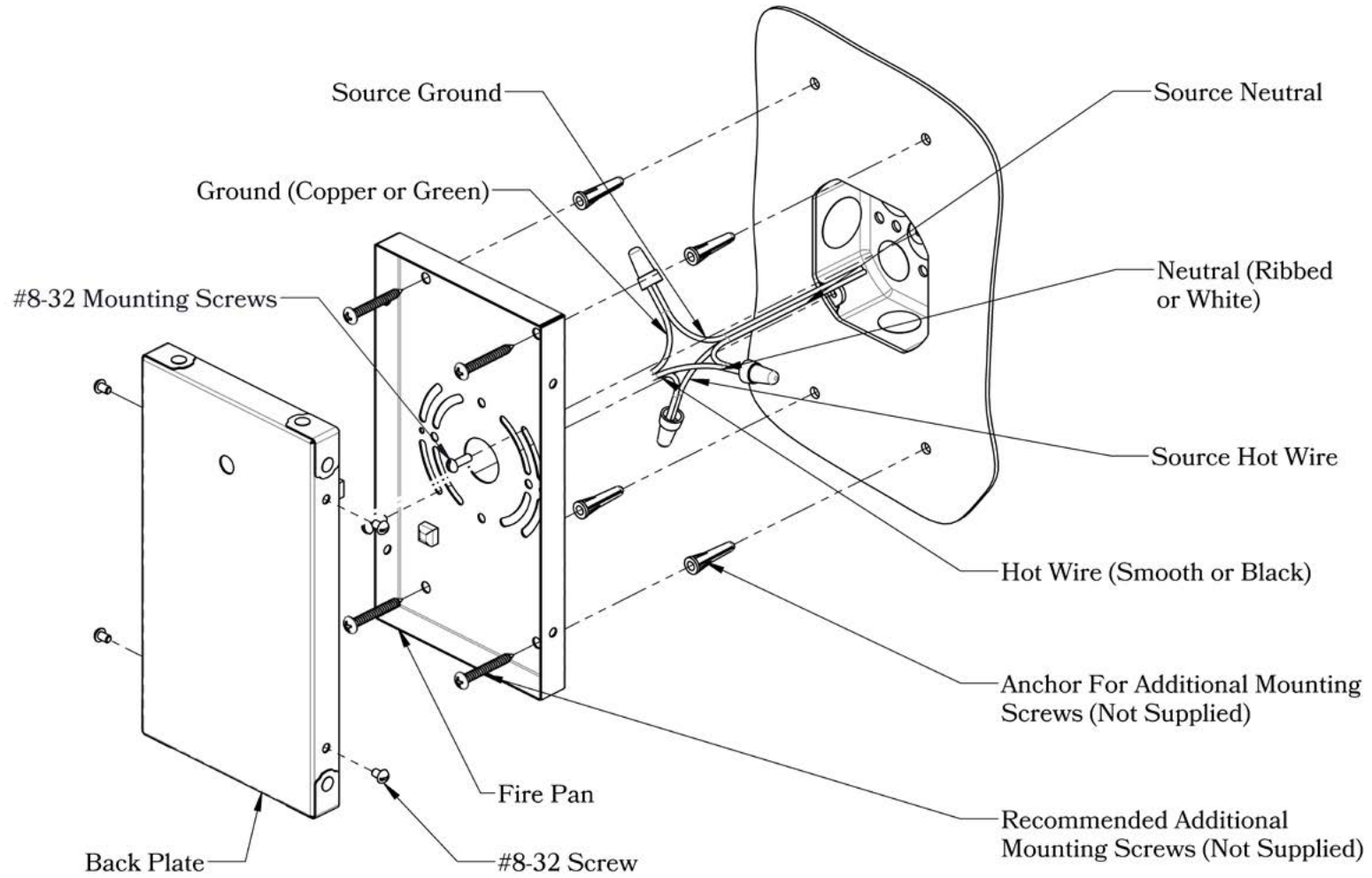


Vaulted



Glass Only

**Mounting Instructions** | Wall Mount With Fire Pan



**CAUTION—DISCONNECT POWER**

Always shut off power when installing or repairing this (or any other) electrical appliance. Failure to do so may result in severe injury or death. This product must be installed in accordance with applicable installation codes by a person familiar with the construction and operation of the product, and the hazards involved.