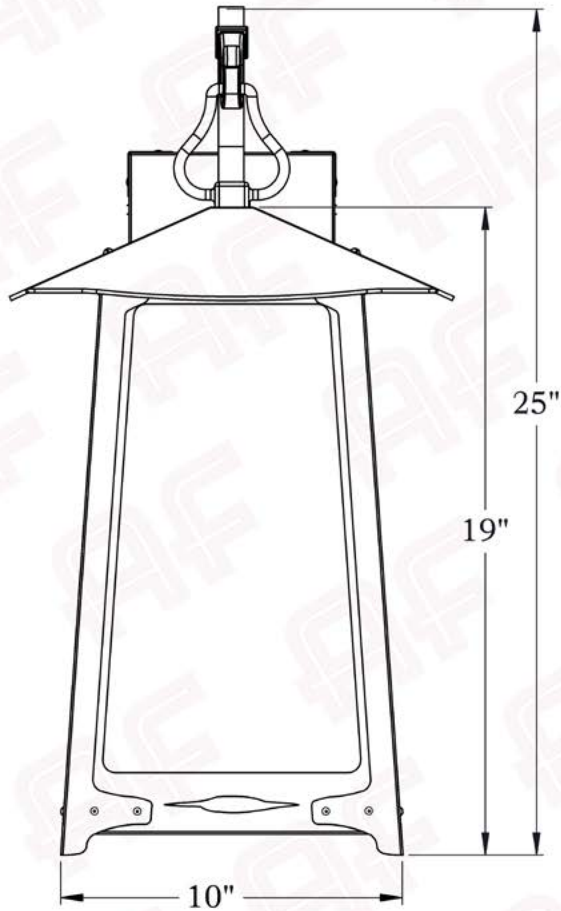




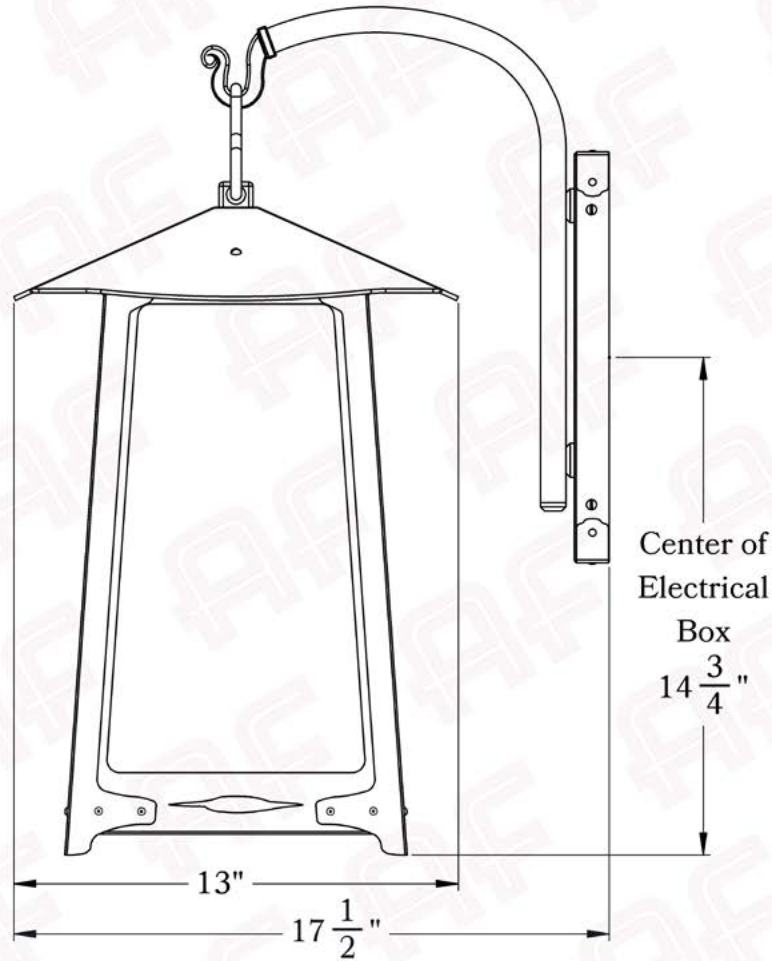
**The Baldwin Series**  
*Hook Arm Sconce*  
Extra Large

**AMERICA'S FINEST**   
*Lighting & Mailbox Co.* 

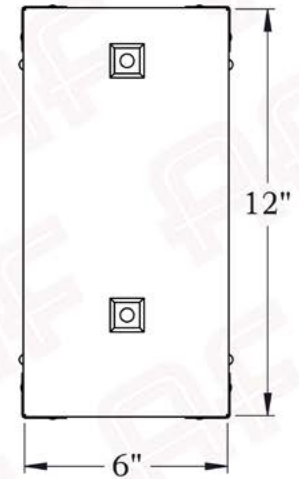
# X Large



FRONT VIEW



SIDE VIEW



BACKPLATE VIEW

Center of  
Electrical  
Box  
14 <sup>3</sup>/<sub>4</sub>"

**AMERICA'S FINEST**  
*Lighting & Mailbox Co.*  
975 N. Enterprise St. Orange, CA 92867

PRODUCT No. | 605-1  
TITLE | Baldwin  
UL RATING | Damp

LAMP BASE | Medium Base (E26)  
MAX WATTAGE | 100W  
VOLTAGE | 120V

**PROPRIETARY AND CONFIDENTIAL**  
The information contained in this drawing is the sole property of America's Finest. Any reproduction in part or as a whole without written permission from America's Finest is prohibited.

## Dimensions

Roof Width	13"
Body Width	10"
Lantern Height	19"
Height	25"
Projection	17 1/2"
Mounting Plate	6" x 12"

## Electrical Specs

UL Rating	Damp
Voltage	120V
Socket Type	Medium Base - E26
Number of Light Bulbs	1
Max Wattage per Bulb	100W
LED Bulb	Supplied
Dimmable	Yes

## Additional Information

Manufacturer	America's Finest Lighting
Mounting Location	Interior and Exterior
Material	Brass
Multiple Overlay Options	Yes
Bottom Glass Panels	Included

## Overlays Available In This Series



Blue Heron



Great Horned Owl



Hummingbird



Peacock in Tree



Spruce and Lake

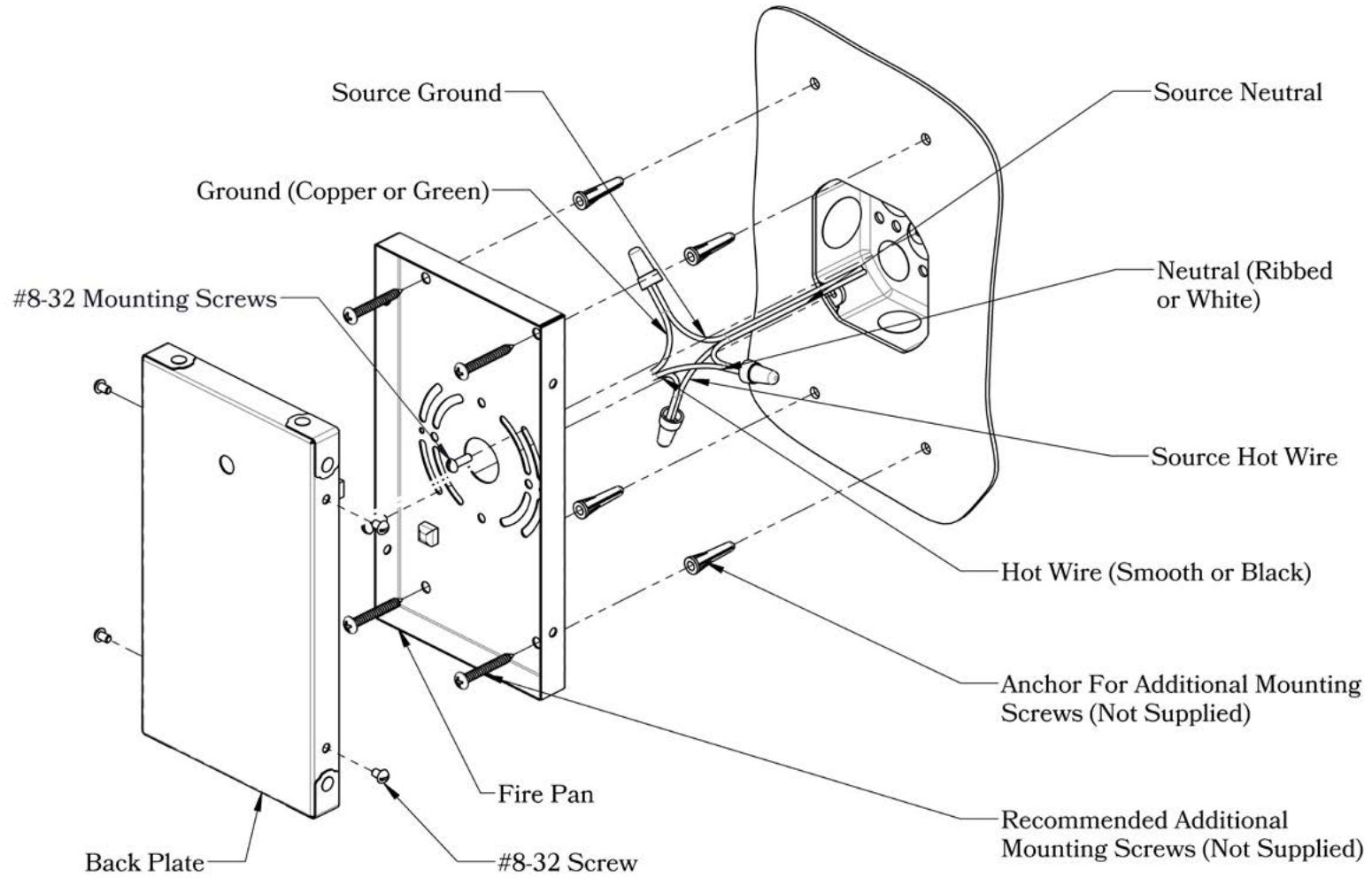


Tree



Glass Only

**Mounting Instructions** | Wall Mount With Fire Pan



**CAUTION—DISCONNECT POWER**

Always shut off power when installing or repairing this (or any other) electrical appliance. Failure to do so may result in severe injury or death. This product must be installed in accordance with applicable installation codes by a person familiar with the construction and operation of the product, and the hazards involved.