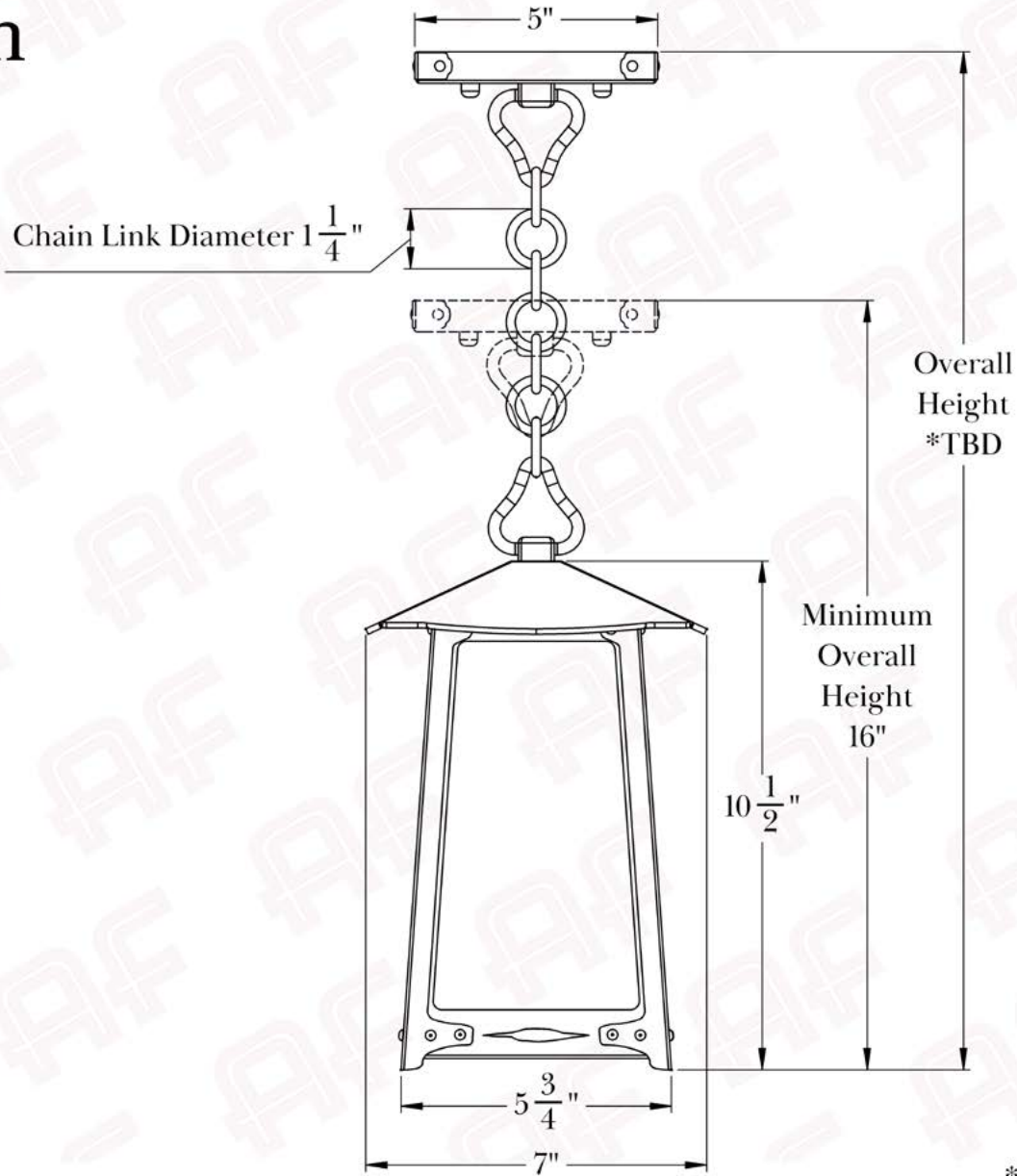




The Baldwin Series
Chain Pendant Lantern
Medium

AMERICA'S FINEST 
Lighting & Mailbox Co. 

Medium



*TBD= To be determined

AMERICA'S FINEST
Lighting & Mailbox Co.
 975 N. Enterprise St. Orange, CA 92867

PRODUCT No. | 603-4
 TITLE | Baldwin
 UL RATING | Damp

LAMP BASE | Medium Base (E26)
 MAX WATTAGE | 100W
 VOLTAGE | 120V

PROPRIETARY AND CONFIDENTIAL
 The information contained in this drawing is the sole property of America's Finest. Any reproduction in part or as a whole without written permission from America's Finest is prohibited.

Dimensions

| | |
|----------------|---------|
| Roof Width | 7" |
| Body Width | 5 3/4" |
| Lantern Height | 10 1/2" |
| Minimum Height | 16" |
| Canopy | 5" |

Electrical Specs

| | |
|-----------------------|-------------------|
| UL Rating | Damp |
| Voltage | 120V |
| Socket Type | Medium Base - E26 |
| Number of Light Bulbs | 1 |
| Max Wattage per Bulb | 100W |
| LED Bulb | Supplied |
| Dimmable | Yes |

Additional Information

| | |
|--------------------------|---------------------------|
| Manufacturer | America's Finest Lighting |
| Mounting Location | Interior and Exterior |
| Material | Brass |
| Multiple Overlay Options | Yes |
| Bottom Glass Panels | Included |

Overlays Available In This Series



Blue Heron



Great Horned Owl



Hummingbird



Peacock in Tree



Spruce and Lake

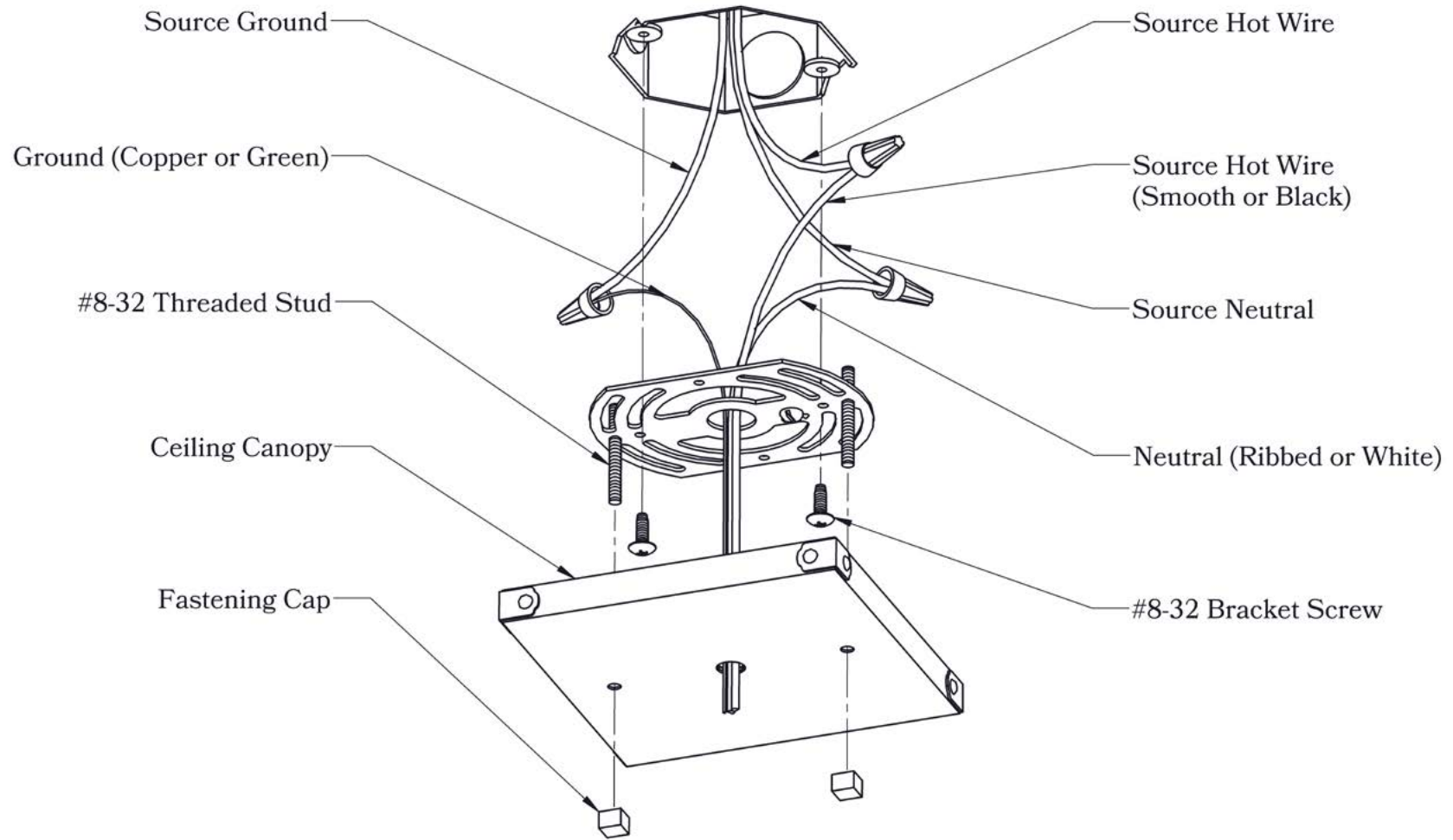


Tree



Glass Only

Mounting Instructions | Chain Mount Without Fire Pan



CAUTION—DISCONNECT POWER

Always shut off power when installing or repairing this (or any other) electrical appliance. Failure to do so may result in severe injury or death. This product must be installed in accordance with applicable installation codes by a person familiar with the construction and operation of the product, and the hazards involved.