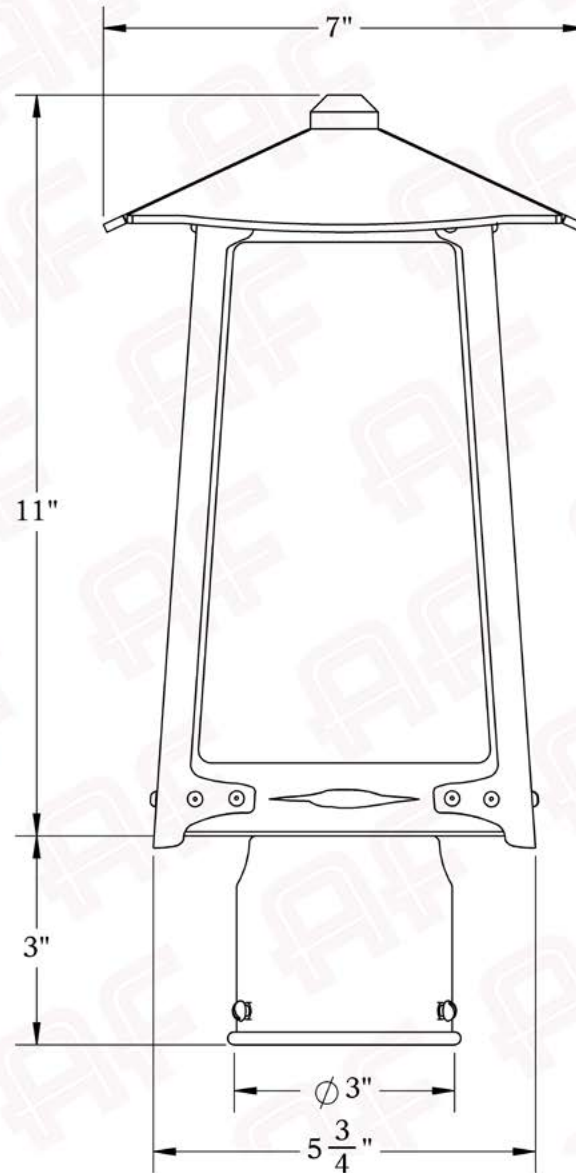




**The Baldwin Series**  
*Post Mount Lantern*  
**Medium**

**AMERICA'S FINEST**   
*Lighting & Mailbox Co.* 

# Medium



**AMERICA'S FINEST**  
*Lighting & Mailbox Co.*  
 975 N. Enterprise St. Orange, CA 92867

PRODUCT No. | 603-3  
 TITLE | Baldwin  
 UL RATING | Wet

LAMP BASE | Medium Base (E26)  
 MAX WATTAGE | 100W  
 VOLTAGE | 12V or 120V

**PROPRIETARY AND CONFIDENTIAL**  
 The information contained in this drawing is the sole property of America's Finest. Any reproduction in part or as a whole without written permission from America's Finest is prohibited.

## Dimensions

|                |                  |
|----------------|------------------|
| Roof Width     | 7"               |
| Body Width     | 5 3/4"           |
| Lantern Height | 11"              |
| Height         | 14"              |
| Mounts To      | 3" Diameter Post |

## Electrical Specs

|                       |                   |
|-----------------------|-------------------|
| UL Rating             | Wet               |
| Voltage               | 12V or 120V       |
| Socket Type           | Medium Base - E26 |
| Number of Light Bulbs | 1                 |
| Max Wattage per Bulb  | 100W              |
| LED Bulb              | Supplied          |

## Additional Information

|                          |                           |
|--------------------------|---------------------------|
| Manufacturer             | America's Finest Lighting |
| Mounting Location        | Exterior Only             |
| Material                 | Brass                     |
| Multiple Overlay Options | Yes                       |

## Overlays Available In This Series



Blue Heron



Great Horned Owl



Hummingbird



Peacock in Tree



Spruce and Lake

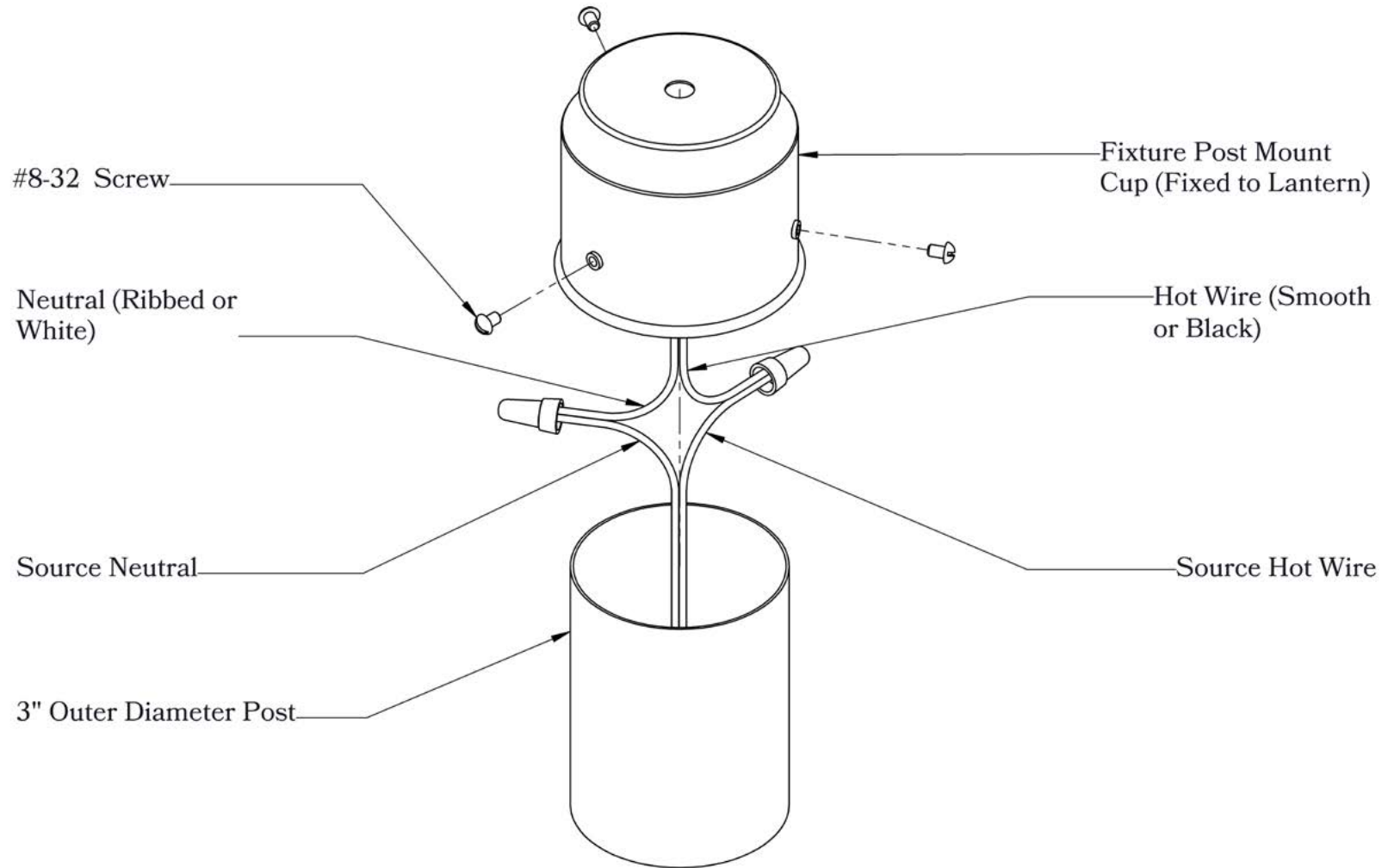


Tree



Glass Only

**Mounting Instructions** | 3-inch Metal Post (12 Volts)



**CAUTION—DISCONNECT POWER**

Always shut off power when installing or repairing this (or any other) electrical appliance. Failure to do so may result in severe injury or death. This product must be installed in accordance with applicable installation codes by a person familiar with the construction and operation of the product, and the hazards involved.